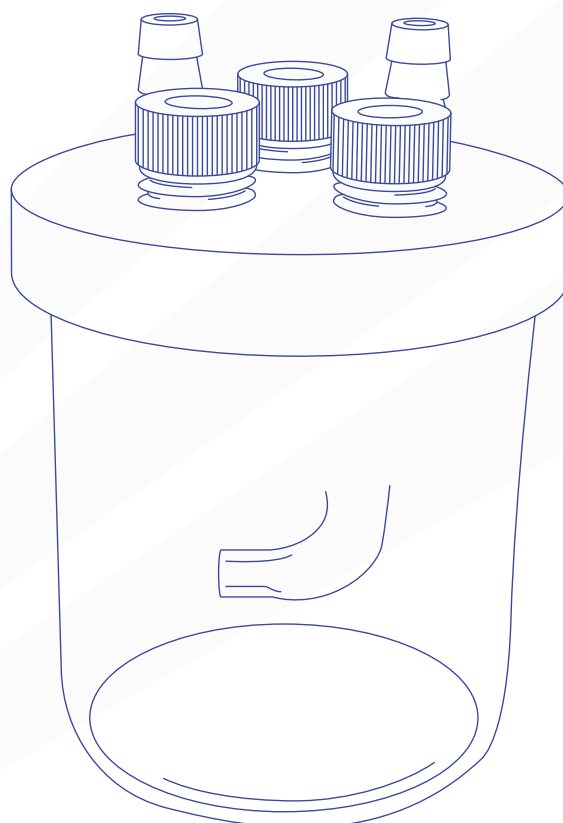


Electrochemical Cell with Luggin Capillary USER MANUAL

Manual version: 1.0.0
Product code: C2012B1



Contents

1. Packing List.....	3
2. Specifications.....	4
3. Related Products.....	5

1. Packing List

The standard items included with the C2012B1 Electrochemical Cell with Luggin Capillary are:

1. Borosilicate Glass Body
 - Internal Seal 52mm OD (3mm Dia cross section)
2. PTFE Screw Cap
 - Glass Frit Gas bubbler x1
 - Luggin capillary x1
 - Polyoxymethylene (POM) Electrode Secure Screw x3
 - Polyoxymethylene (POM) Gas inlet/outlet secure screw x2
3. PTFE Rod 6.2mm electrode stopper x3
 - PTFE Rod 3mm air inlet/ outlet stopper x2
 - FKM fluororubber O-ring OD 10mm Extras
 - FKM fluororubber O-ring OD 5.5mm Extras
4. PTFE Tape
5. 1m PTFE Tubing
6. Polyoxymethylene (POM) Closed Electrode Secure Screw x1

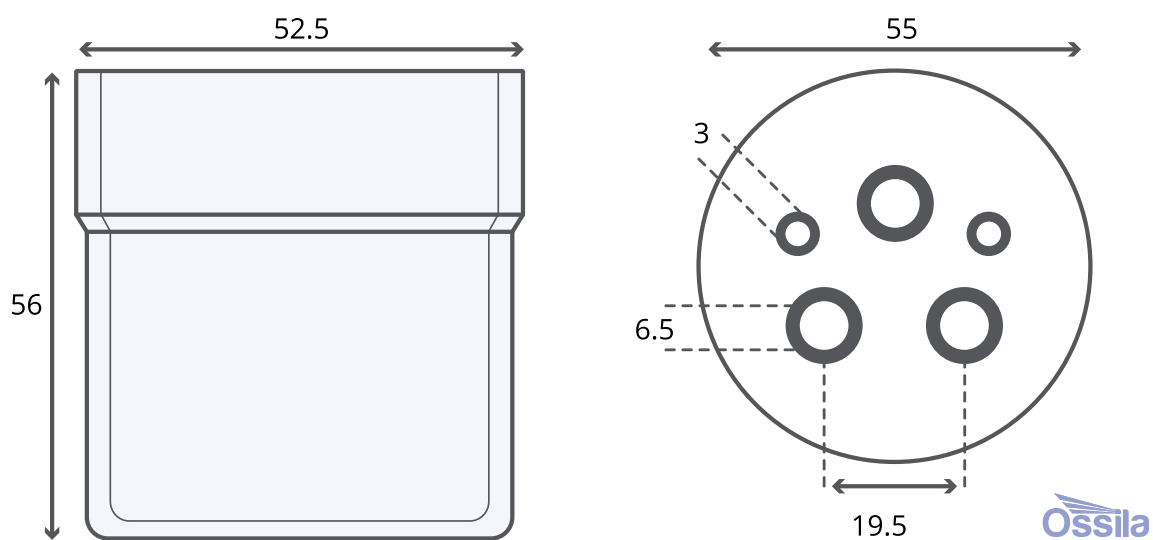


2. Specifications

The Electrochemical Cell with Luggin Capillary specifications are shown below.

Table 2.1. Electrochemical Cell with Luggin Capillary specifications.

Volume	50 ml
Gas Inlet Size	3 mm
Electrode Inlet Size	6.5 mm



Electrochemical Cell with Luggin Capillary Dimensions (in mm)

3. Related Products



Potentiostat

Low Price Potentiostat for Cyclic Voltammetry and More

Product code: **T2006A1**



Platinum Wire Counter Electrode

Oxidation, solvent and acid resistant platinum wire counter electrodes

Product code: **C2014A1**



Ag/Ag⁺ Reference Electrodes

Non-aqueous Ag/Ag⁺ reference electrode suitable for cyclic voltammetry electrochemistry cells

Product code: **C2015A1**



L-Shaped Glassy Carbon Working Electrode

Perfect for use in standard electrochemistry cells for cyclic voltammetry and more

Product code: **C2013H1, C2013J1**