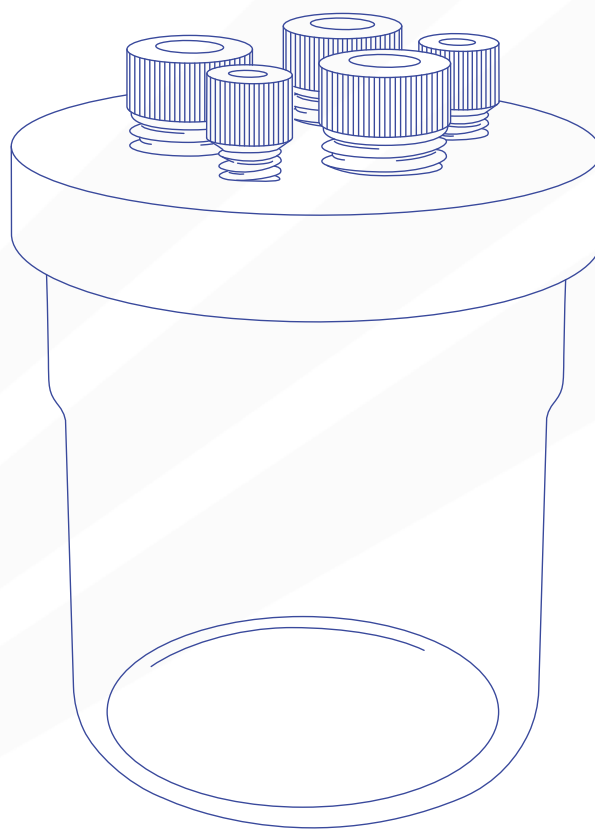


Standard Electrochemical Cell

USER MANUAL

Manual version: 1.0.0
Product code: C2012A1



Contents

1. Packing List.....	3
2. Specifications.....	4
3. Related Products.....	5

1. Packing List

The standard items included with the C2012A1 Standard Electrochemical Cell are:

1. Borosilicate Glass Body
 - PTFE Screw Cap
 - FKM fluororubber Internal Seal 52mm OD (3mm Dia cross section)
 - Polyoxymethylene (POM) Electrode Secure Screw x3
 - Polyoxymethylene (POM) Gas inlet/outlet secure screw x2
2. 1m PTFE Tubing
3. FKM fluororubber O-ring OD 5.5mm & 10mm Extras
4. PTFE Rod 3mm air inlet/ outlet stopper x2
5. PTFE Rod 6.2mm electrode stopper x3
6. Polyoxymethylene (POM) Closed Electrode Secure Screw x1

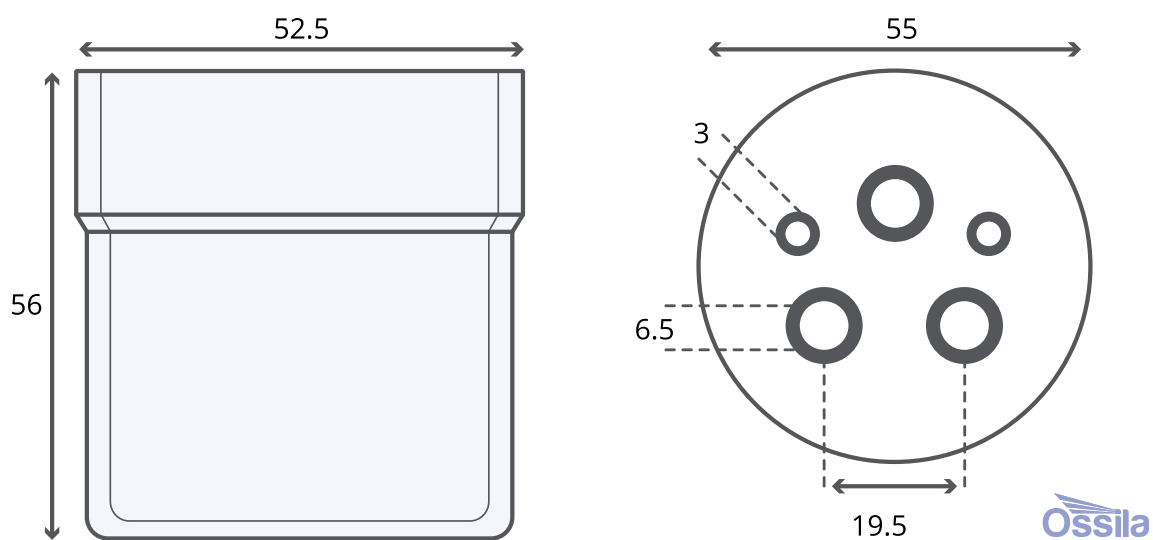


2. Specifications

The Standard Electrochemical Cell specifications are shown below.

Table 2.1. Standard Electrochemical Cell specifications.

Volume	50 ml
Gas Inlet Size	3 mm
Electrode Inlet Size	6.5 mm



Standard Electrochemical Cell Dimensions (in mm)

3. Related Products



Potentiostat

Low Price Potentiostat for Cyclic Voltammetry and More

Product code: **T2006A1**



Platinum Wire Counter Electrode

Oxidation, solvent and acid resistant platinum wire counter electrodes

Product code: **C2014A1**



Ag/Ag+ Reference Electrodes

Non-aqueous Ag/Ag+ reference electrode suitable for cyclic voltammetry electrochemistry cells

Product code: **C2015A1**



L-Shaped Glassy Carbon Working Electrode

Perfect for use in standard electrochemistry cells for cyclic voltammetry and more

Product code: **C2013H1, C2013J1**