

# Electrochemical Cell with Water Bath

## USER MANUAL

Manual version: 1.0.0  
Product code: C2012G1



# Contents

1. Packing List.....	3
2. Specifications.....	4
3. Related Products.....	5

# 1. Packing List

The standard items included with the C2012G1 Electrochemical Cell with Water Bath are:

1. Borosilicate Glass Body
2. 1m PTFE Tubing
3. PTFE White Tape x1
4. PTFE Rod 3mm air inlet stopper x2
5. Polyoxymethylene (POM) Closed Electrode Secure Screw x1
6. PTFE Screw Cap
  - FKM fluororubber Internal Seal 52mm OD (3mm Dia cross section)
  - Glass Frit Gas bubbler x1
  - Luggin capillary x1
  - Polyoxymethylene (POM) Electrode Secure Screw x3
  - Polyoxymethylene (POM) Cell Gas Inlet/ outlet secure screw x2
7. FKM fluororubber O-ring OD 10mm & 5.5mm Extras
  - PTFE Rod 6.2mm electrode inlet stopper x3

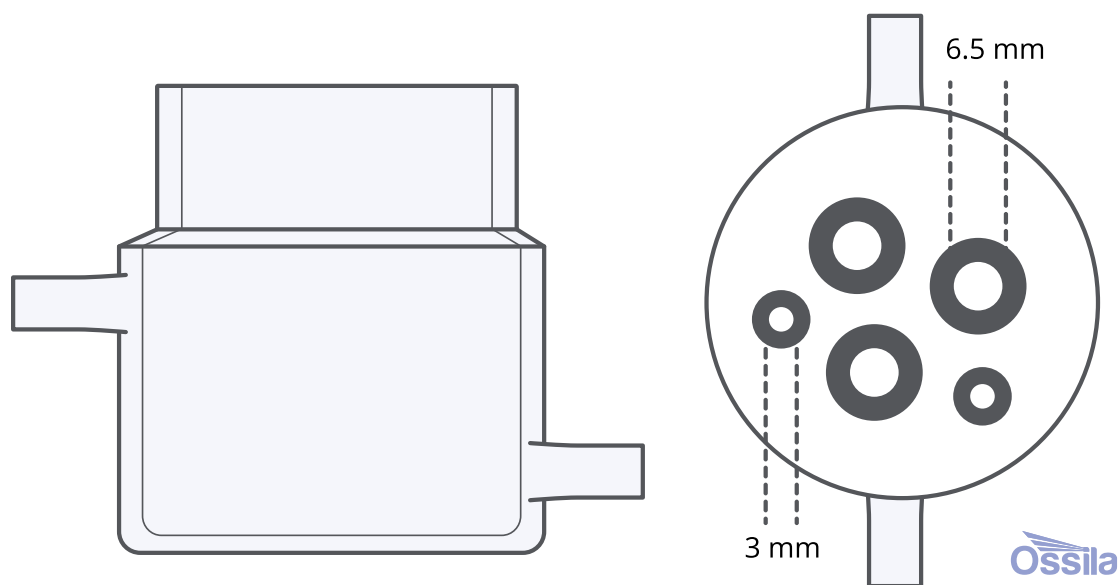


## 2. Specifications

The Electrochemical Cell with Water Bath specifications are shown below.

**Table 2.1.** Electrochemical Cell with Water Bath specifications.

<b>Volume</b>	100 ml
<b>Gas Inlet Size</b>	3 mm
<b>Electrode Inlet Size</b>	6.5 mm



Electrochemical Cell with Water Bath Dimensions (in mm)

**Please note:** Luggin capillary curved salt bridge tip may deteriorate in strong acid or basic electrolyte. Direct use of reference electrode without Luggin capillary is thus suggested in such conditions.

### 3. Related Products



#### Potentiostat

Low Price Potentiostat for Cyclic Voltammetry and More

Product code: **T2006A1**



#### Platinum Wire Counter Electrode

Oxidation, solvent and acid resistant platinum wire counter electrodes

Product code: **C2014A1**



#### Ag/Ag<sup>+</sup> Reference Electrodes

Non-aqueous Ag/Ag<sup>+</sup> reference electrode suitable for cyclic voltammetry electrochemistry cells

Product code: **C2015A1**



#### L-Shaped Glassy Carbon Working Electrode

Perfect for use in standard electrochemistry cells for cyclic voltammetry and more

Product code: **C2013H1, C2013J1**