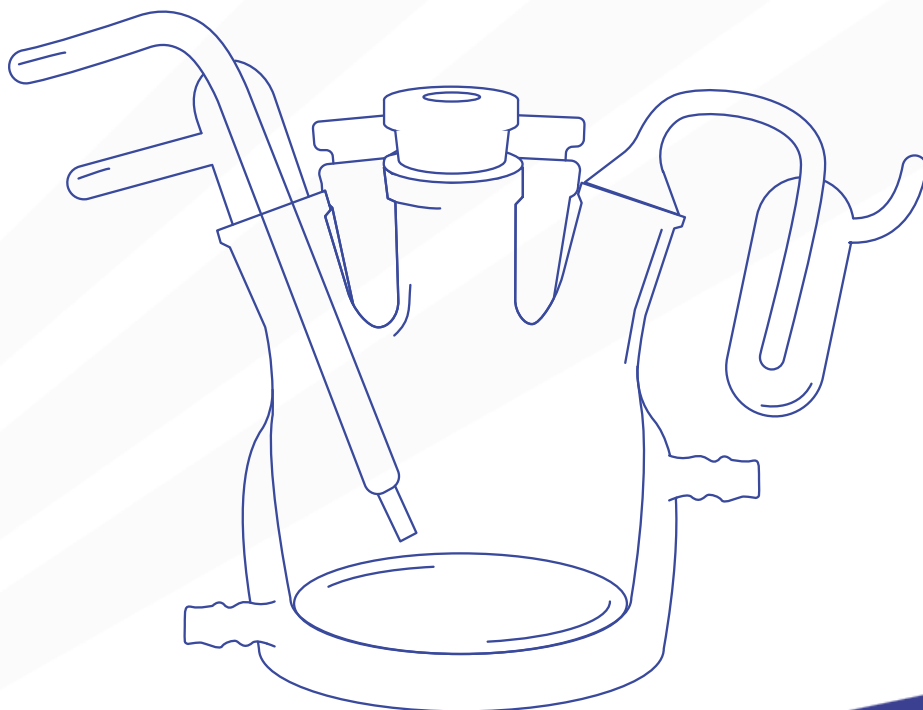


# Five-necked Electrochemical Cell with Water Bath

## USER MANUAL

Manual version: 1.0.0  
Product code: C2030W1



# Contents

1. Packing List.....	3
2. Specifications.....	4
3. Related Products.....	6

# 1. Packing List

The standard items included with the Five-necked Electrochemical Cell with Water Bath are:

1. Borosilicate Glass Body
2. Borosilicate Glass Gas Chamber
3. 19/26 Borosilicate Glass Gas Blocker x2
4. 87mm Borosilicate Glass Gas Bubbler
5. 19/26 PTFE white Luggin Capillary Top
6. 24/29 PTFE central white accessory Top x1
7. 19/26 PTFE white accessory Top x1
8. PTFE Tape
9. Green FKM fluororubber O-rings Extras
10. PTFE Rod 6.2mm electrode inlet stopper x3
11. Polyoxymethylene (POM) Closed Electrode Secure Screw x1
12. Polyoxymethylene (POM) Spare Electrode Secure Screw x2
13. Black rubber O-Rings
14. Red Electrode Caps x6

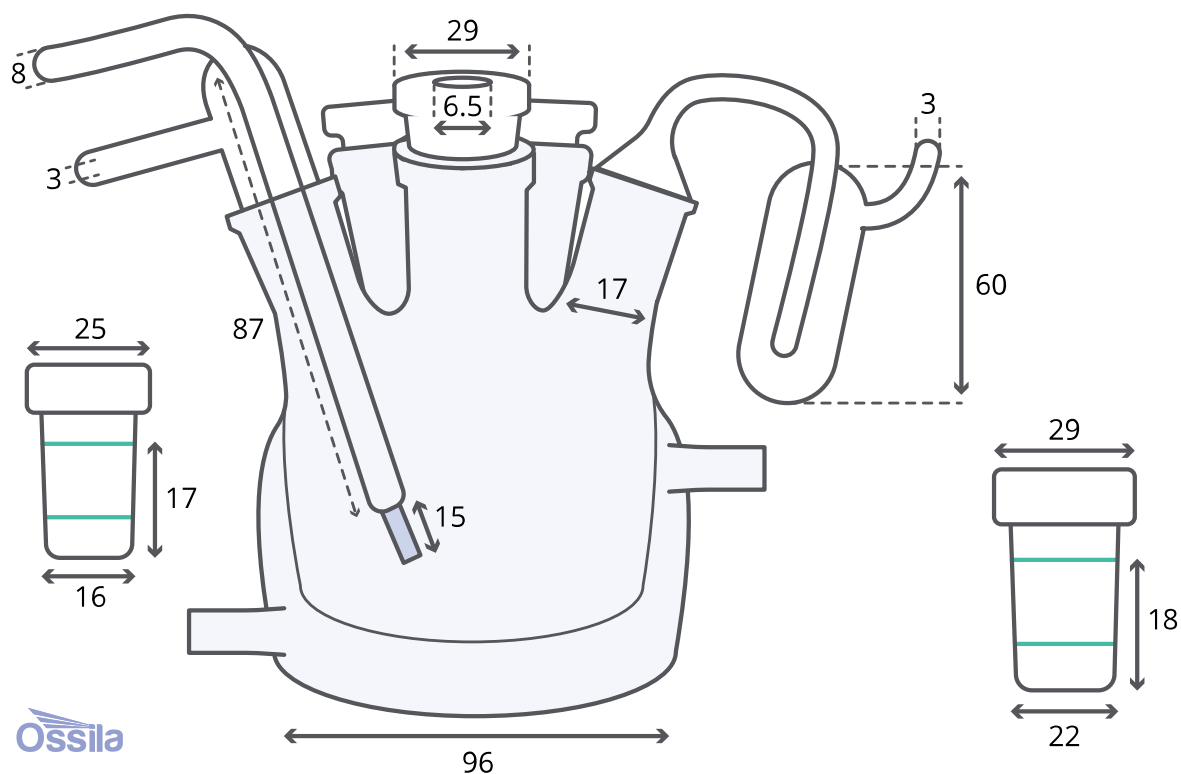


## 2. Specifications

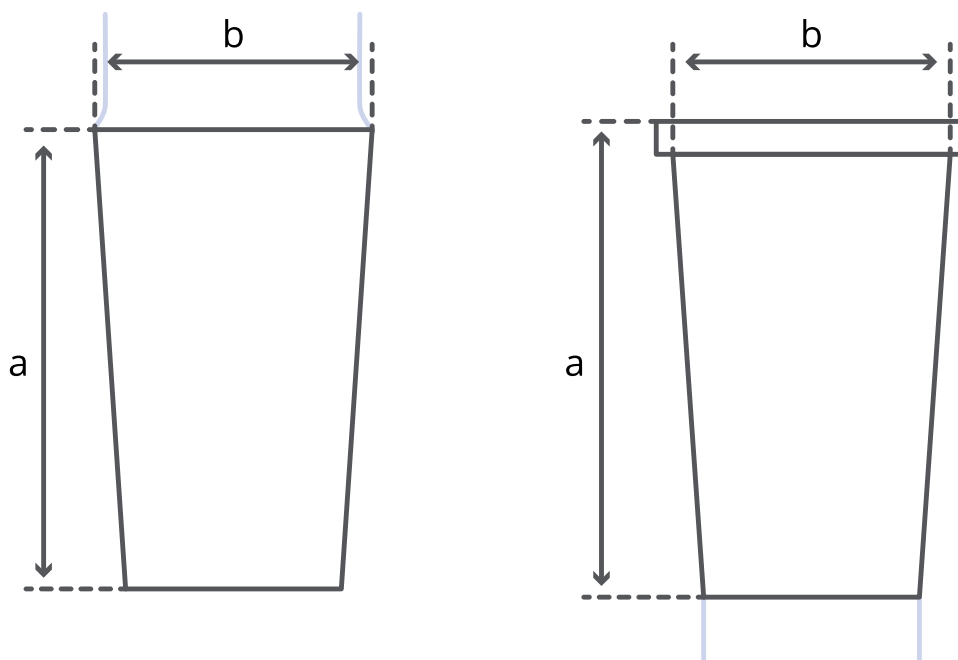
The Five-necked Electrochemical Cell with Water Bath specifications are shown below.

**Table 2.1.** Five-necked Electrochemical Cell with Water Bath specifications.

<b>Base</b>	96 mm
<b>Gas Inlet Size</b>	3 mm
<b>Electrode Inlet Size</b>	6.5 mm
<b>Volume</b>	150 ml



Five-necked Electrochemical Cell with Water Bath Dimensions (in mm)



Four 19/26 ground glass ports and a central 24/29 port

Conical Port	Size	Height (mm)	Width at widest point (mm)
Central	24/29	29	24
Accessories	19/26	26	19

## 3. Related Products



### Potentiostat

Low Price Potentiostat for Cyclic Voltammetry and More

Product code: **T2006A1**



### Standard Electrochemical Cell

High Quality Standard Electrochemical Cell

Product code: **C2012A1**



### Ag/Ag+ Reference Electrodes

Non-aqueous Ag/Ag+ reference electrode suitable for cyclic voltammetry electrochemistry cells

Product code: **C2015A1**



### L-Shaped Glassy Carbon Working Electrode

Perfect for use in standard electrochemistry cells for cyclic voltammetry and more

Product code: **C2013H1, C2013J1**



### Rotating Disk Electrode (RDE)

For precise studies of reaction mechanisms, catalyst properties, and kinetic studies of reacting species

Product code: **C2039C1**



### Rotating Ring Disk Electrode (RRDE)

Powerful Electrode for Revealing Intermediates & Quantifying Reaction Pathways

Product code: **C2036E1**