

Five-necked Electrochemical Cell

USER MANUAL

Manual version: 1.0.0
Product code: C2030F1



Contents

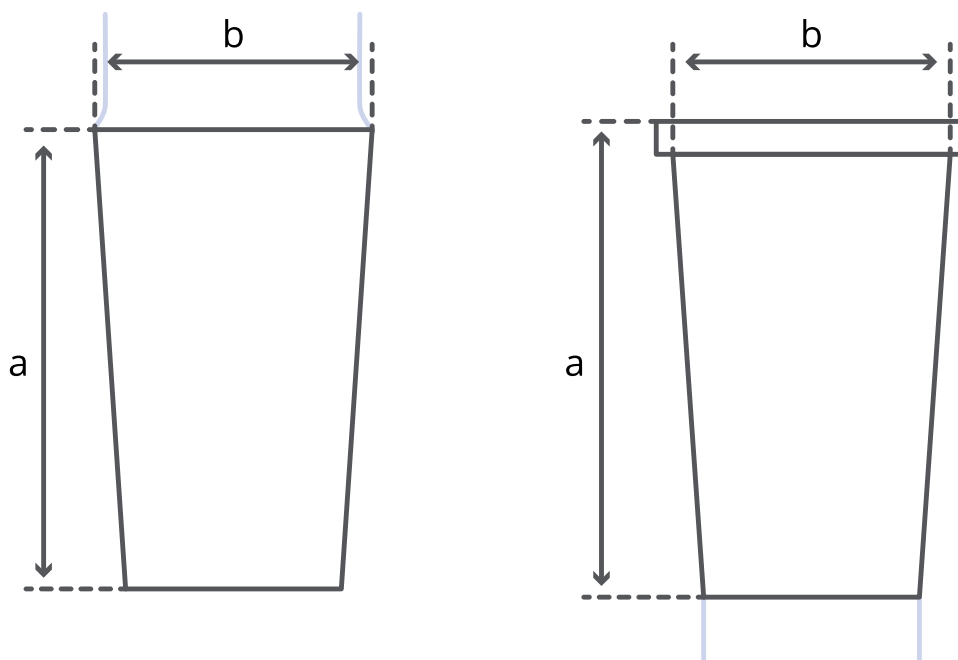
1. Packing List.....	3
2. Specifications.....	4
3. Related Products.....	6

1. Packing List

The standard items included with the Five-necked Electrochemical Cell are:

1. Borosilicate Glass Body
2. 19/26 PTFE white accessory Top x1
3. 24/29 PTFE central white accessory Top x1
4. 19/26 PTFE white Luggin Capillary Top
5. 87mm Borosilicate Glass Gas Bubbler
6. PTFE Tape
7. Borosilicate Glass Gas Chamber
8. 19/26 Borosilicate Glass Gas Blocker x2
9. Green FKM fluororubber O-rings Extras
10. PTFE Rod 6.2mm electrode inlet stopper x3
11. Red Electrode Caps x6
12. Electrode Spares x1
 - Polyoxymethylene (POM) Spare Electrode Secure Screw x2
 - Polyoxymethylene (POM) Closed Electrode Secure Screw x1
 - Black rubber O-Rings





Four 19/26 ground glass ports and a central 24/29 port

Conical Port	Size	Height (mm)	Width at widest point (mm)
Central	24/29	29	24
Accessories	19/26	26	19

3. Related Products



Potentiostat

Low Price Potentiostat for Cyclic Voltammetry and More

Product code: **T2006A1**



Standard Electrochemical Cell

High Quality Standard Electrochemical Cell

Product code: **C2012A1**



Ag/Ag+ Reference Electrodes

Non-aqueous Ag/Ag+ reference electrode suitable for cyclic voltammetry electrochemistry cells

Product code: **C2015A1**



L-Shaped Glassy Carbon Working Electrode

Perfect for use in standard electrochemistry cells for cyclic voltammetry and more

Product code: **C2013H1, C2013J1**