

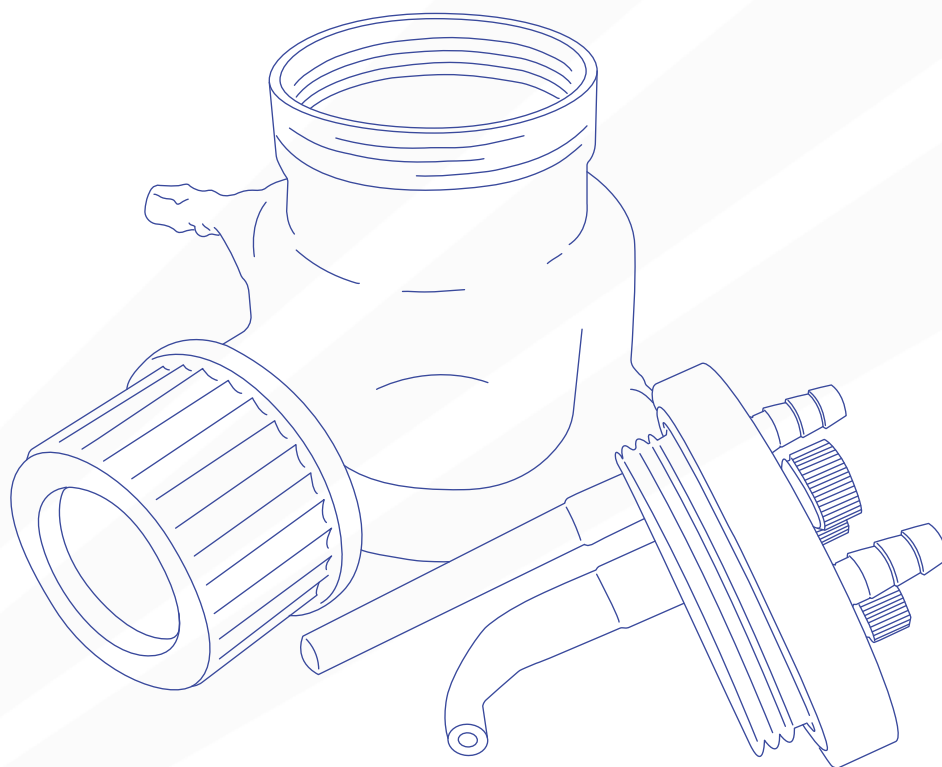
# Glass

# Photoelectrochemical Cell

# with Water Bath

## USER MANUAL

Manual version: 1.0.0  
Product code: C2017E1



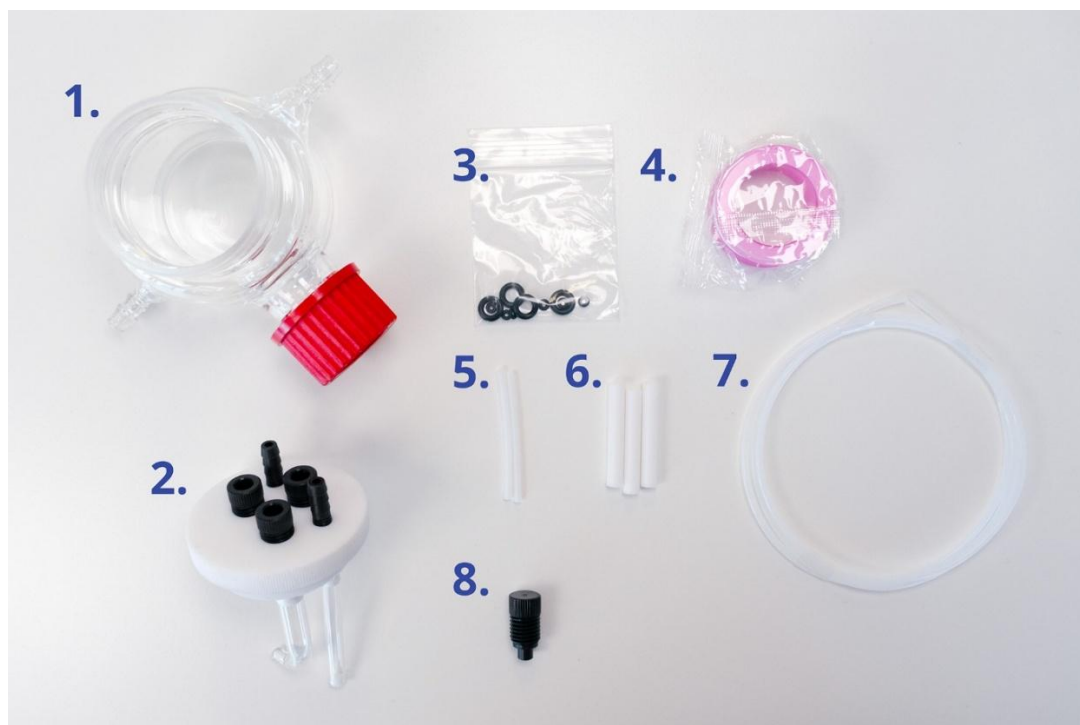
# Contents

1. Packing List.....	3
2. Specifications.....	4
3. Related Products.....	5

# 1. Packing List

The standard items included with the C2017E1 Glass Photoelectrochemical Cell with Water Bath are:

1. Borosilicate Glass wear Body with Water Bath
  - Optical Window
  - Screw on Polybutylene terephthalate Cap with 24mm centre hole with O-ring
  - JGS2 Quartz with transparent window 0.220-2.5 ( $\mu\text{m}$ ) optical window 29mm dia
2. Screw Cap
  - Internal Seal 53mm OD (3mm Dia cross section)
  - Gas bubbler Element x1
  - Luggin Capillary x1
  - Polyoxymethylene (POM) Electrode Secure Screw x3
  - Polyoxymethylene (POM) Gas inlet/outlet secure screw in adaptor x2
3. Rubber O-ring OD 10 mm & 5.5 mm Extras
4. PTFE White Tape PTFE x1
5. PTFE Rod 3mm air inlet stopper x2
6. PTFE Rod 6.2mm electrode inlet stopper x3
7. 1m PTFE Tubing
8. Polyoxymethylene (POM) Cell Electrode inlet Blank x1



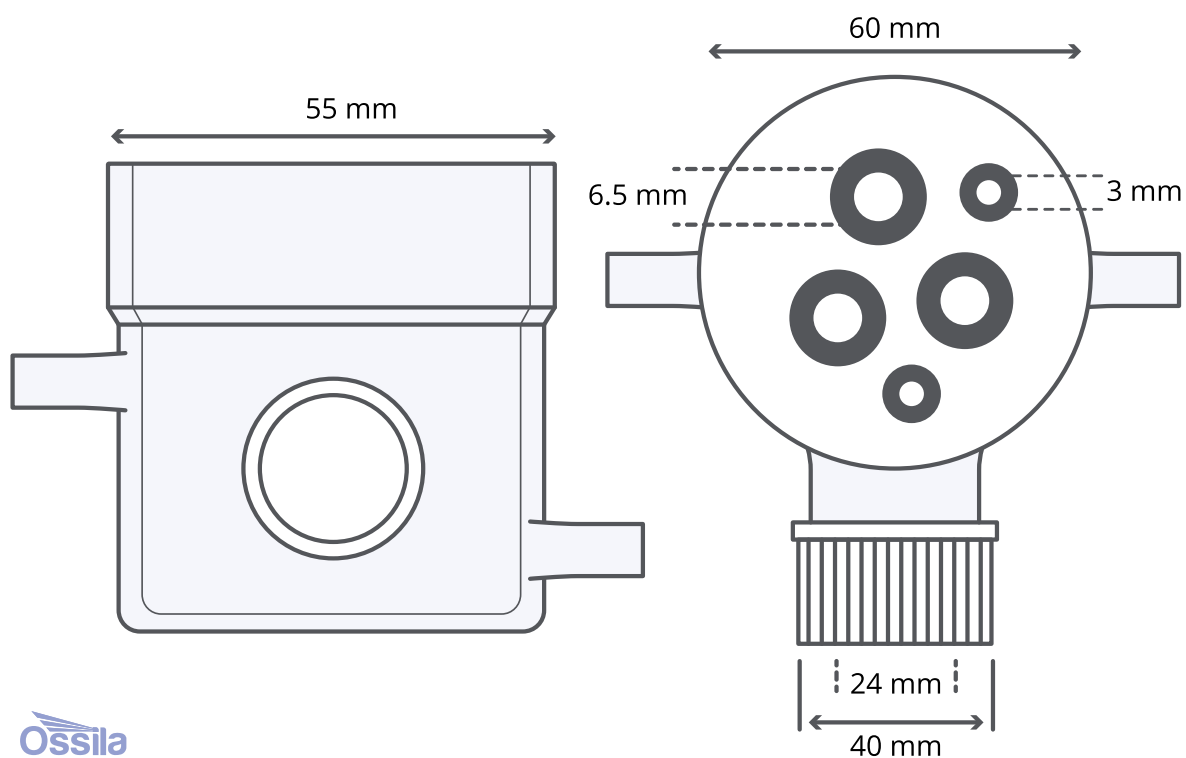
## 2. Specifications

The Glass Photoelectrochemical Cell with Water Bath specifications are shown below.

**Table 2.1.** Glass Photoelectrochemical Cell C2017E1 specifications.

<b>Cell Volume</b>	100 ml
<b>Gas Inlet Size</b>	3 mm
<b>Electrode Inlet Size</b>	6.5 mm
<b>Water Bath Inlet / outlet</b>	3 mm

\*The volume of the half-cell is measured with liquid filled till above the optical window (notation: Window), filled till the thread (notation: Thread) and filled till the cell is full (notation: Full).



C2017E1 Glass Photoelectrochemical Cell with Water Bath Dimensions (in mm)

### 3. Related Products



#### Potentiostat

Low Price Potentiostat for Cyclic Voltammetry and More

Product code: **T2006A1**



#### Platinum Wire Counter Electrode

Oxidation, solvent and acid resistant platinum wire counter electrodes

Product code: **C2014A1**



#### Ag/Ag+ Reference Electrodes

Non-aqueous Ag/Ag+ reference electrode suitable for cyclic voltammetry electrochemistry cells

Product code: **C2015A1**



#### L-Shaped Glassy Carbon Working Electrode

Perfect for use in standard electrochemistry cells for cyclic voltammetry and more

Product code: **C2013H1, C2013J1**



#### Sealed Micro-electrochemical H-Cell

Sealed Micro-electrochemical H-Cell, Sided Gas or Vertical Gas Inlet/Outlet

Product code: **C2032H1**



#### In-situ Raman Electrochemical Cell

In-situ Raman Electrochemical Cell, In-situ Raman Spectroscopy and Infrared Microscopes

Product code: **C2035R1**