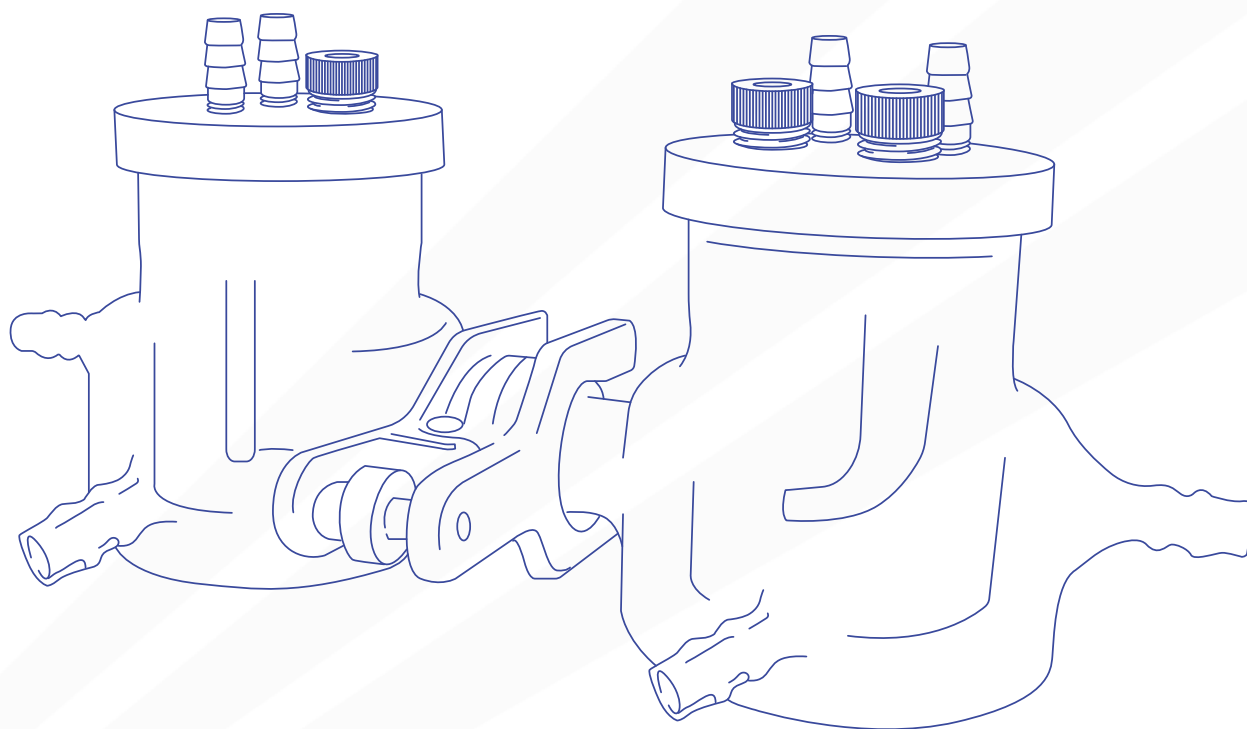


H-Cell with Water Bath

USER MANUAL

Manual version: 1.0.0
Product code: C2012H1



Contents

1. Packing List.....	3
2. Specifications.....	4
3. Related Products.....	5

1. Packing List

The standard items included with the C2012H1 H-Cell with Water Bath are:

1. Borosilicate Glass wear Body x2
 - PTFE Screw Cap x2
 - Polyoxymethylene (POM) Electrode Secure Screw x3
 - Polyoxymethylene (POM) Gas inlet/outlet secure screw x4
 - Glass Frit Gas bubbler Elements x2 (one on both)
 - Luggin Capillary x1
2. 1m PTFE Tubing
3. Pinch Clamp
4. PTFE Rod 3mm air inlet/ outlet stopper x4
5. PTFE Rod 6.2mm electrode stopper x3
6. Polyoxymethylene (POM) Closed Electrode Secure Screw x1
7. FKM fluororubber O-ring OD 5.5mm & 10mm Extras
 - Silicone Seals diameter x2
8. PTFE Tape X1

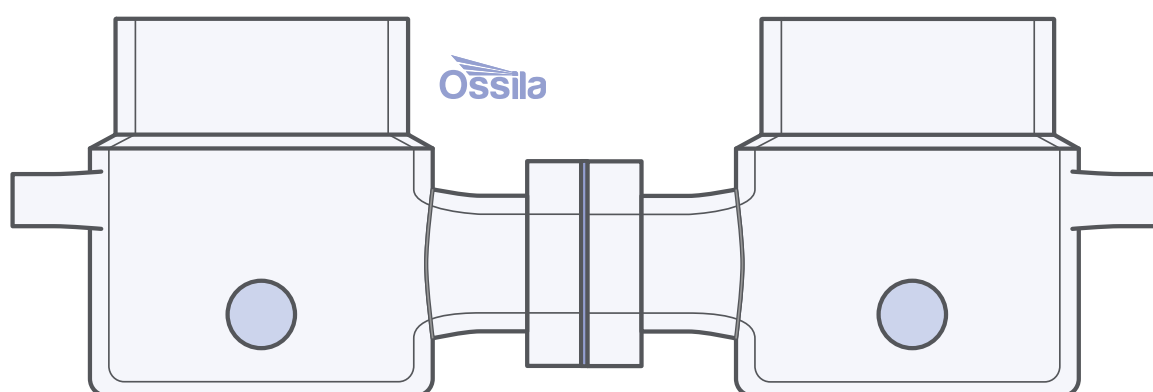
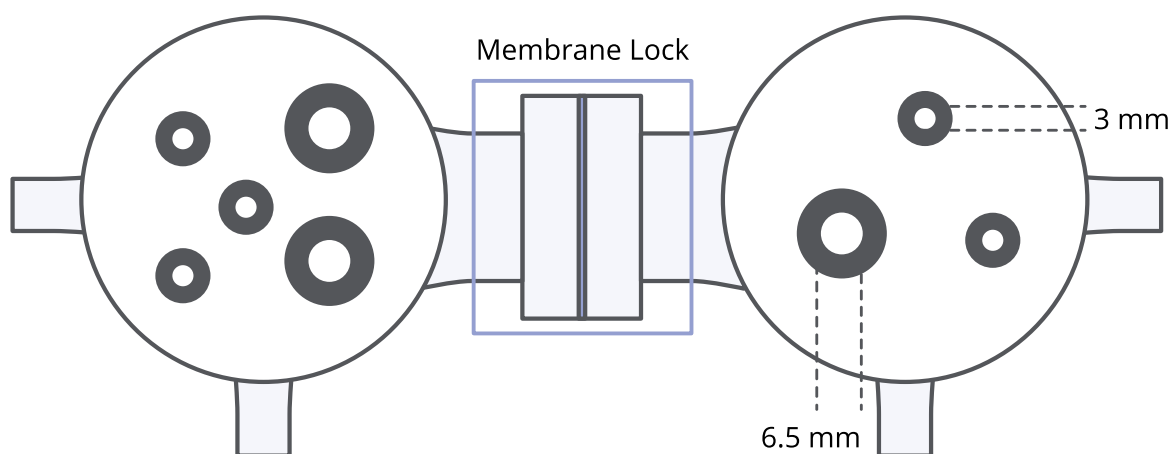


2. Specifications

The H-Cell with Water Bath specifications are shown below.

Table 2.1. H-Cell with Water Bath specifications.

Volume (Total)	50 ml
Volume (Individual Cell)	25 ml
Gas Inlet Size	3 mm
Electrode Inlet Size	6.5 mm



H-Cell with Water Bath Dimensions (in mm)

3. Related Products



Potentiostat

Low Price Potentiostat for Cyclic Voltammetry and More

Product code: **T2006A1**



Platinum Wire Counter Electrode

Oxidation, solvent and acid resistant platinum wire counter electrodes

Product code: **C2014A1**



Ag/Ag⁺ Reference Electrodes

Non-aqueous Ag/Ag⁺ reference electrode suitable for cyclic voltammetry electrochemistry cells

Product code: **C2015A1**



L-Shaped Glassy Carbon Working Electrode

Perfect for use in standard electrochemistry cells for cyclic voltammetry and more

Product code: **C2013H1, C2013J1**