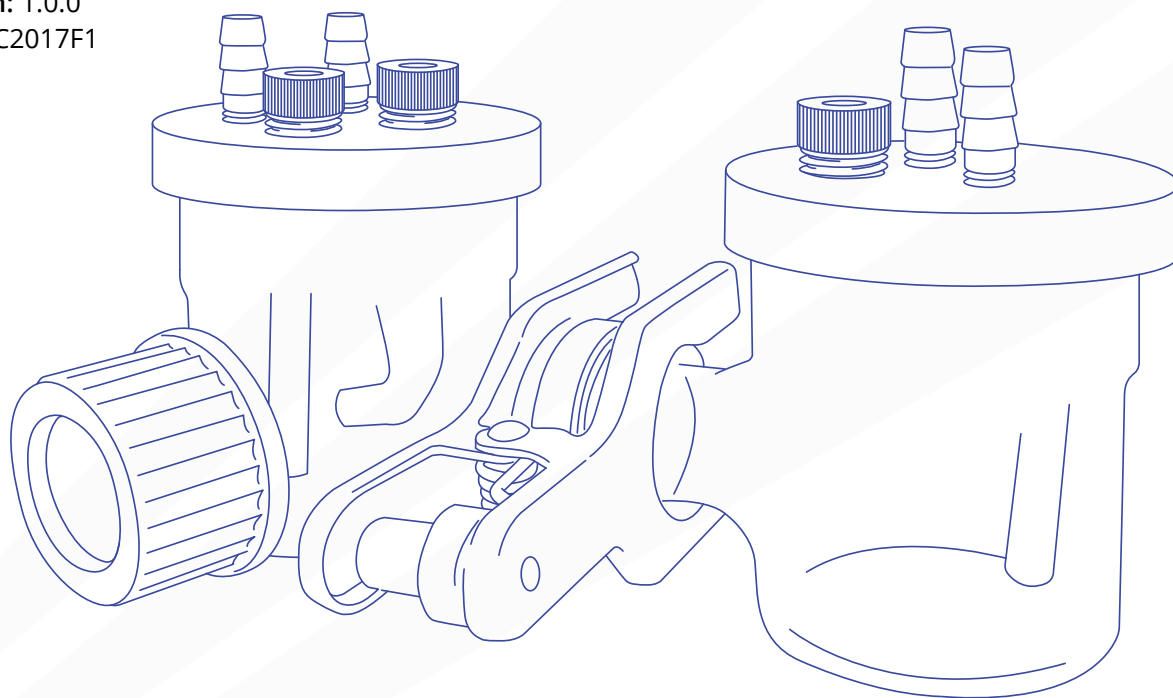


Photoelectrochemical H-Cell

USER MANUAL

Manual version: 1.0.0
Product code: C2017F1



Contents

1. Packing List.....	3
2. Specifications.....	4
3. Related Products.....	5

1. Packing List

The standard items included with the C2017F1 Photoelectrochemical H-Cell are:

1. Borosilicate glass body
 - Optical window
 - Screw on polybutylene terephthalate cap with 24mm centre hole and o-ring
 - JGS2 quartz with transparent window 0.220-2.5 (μm) optical window 29mm diameter
2. Screw Cap
 - Internal seal
 - Polyoxymethylene (POM) electrode secure screw x2
 - Polyoxymethylene (POM) gas inlet/outlet secure screw x2
 - Sampling window
 - Glass frit gas bubbler
 - Luggin capillary
3. Screw cap
 - Internal seal
 - Polyoxymethylene (POM) electrode secure screw
 - Polyoxymethylene (POM) gas inlet/outlet secure screw x2
 - Gas bubbler
4. Pinch clamp
5. PTFE rod 3mm air inlet/ outlet stopper x2
6. PTFE rod 6.2mm electrode stopper x3
7. FKM fluororubber o-ring OD 5.5mm & 10mm extras
8. Polyoxymethylene (POM) electrode secure screw blank x1
9. Membrane seals
10. 1m PTFE tubing
11. PTFE tape

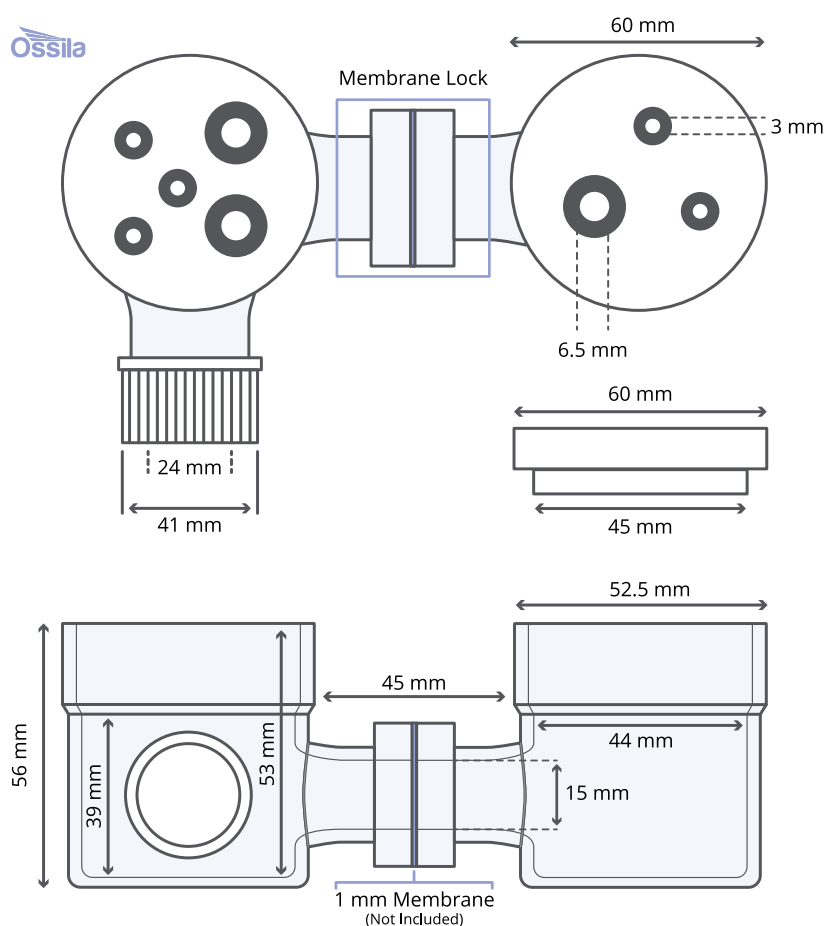


2. Specifications

The Photoelectrochemical H-Cell specifications are shown below.

Table 2.1. Photoelectrochemical H-Cell specifications.

Volume	100 ml
Half-cell Volume (Bridge*)	65 ml (left), 50 ml (right)
Half-cell Volume (Window*)	75 ml (left), N/A (right)
Half-cell Volume (Thread*)	80 ml (left), 65 ml (right)
Half-cell Volume (Full*)	105 ml (left), 90 ml (right)
Gas Inlet Size	3 mm
Electrode Inlet Size	6.5 mm



Standard Electrochemical Cell Dimensions (in mm)

3. Related Products



Potentiostat

Low price Potentiostat for cyclic voltammetry and more

Product code: **T2006A1**



Platinum Wire Counter Electrode

Oxidation, solvent and acid resistant platinum wire counter electrodes

Product code: **C2014A1**



Ag/Ag+ Reference Electrodes

Non-aqueous Ag/Ag+ reference electrode suitable for cyclic voltammetry electrochemistry cells

Product code: **C2015A1**



L-Shaped Glassy Carbon Working Electrode

Perfect for use in standard electrochemistry cells for cyclic voltammetry and more

Product code: **C2013H1, C2013J1**



Glass Photoelectrochemical Cell

High quality borosilicate glass photoelectrochemical cells for two or three electrode photoelectric effect studies

Product code: **C2017A1**



Glass Photoelectrochemical Cell with Water Bath

Glass Photoelectrochemical Cells (PECs) with built-in water bath

Product code: **C2017E1**