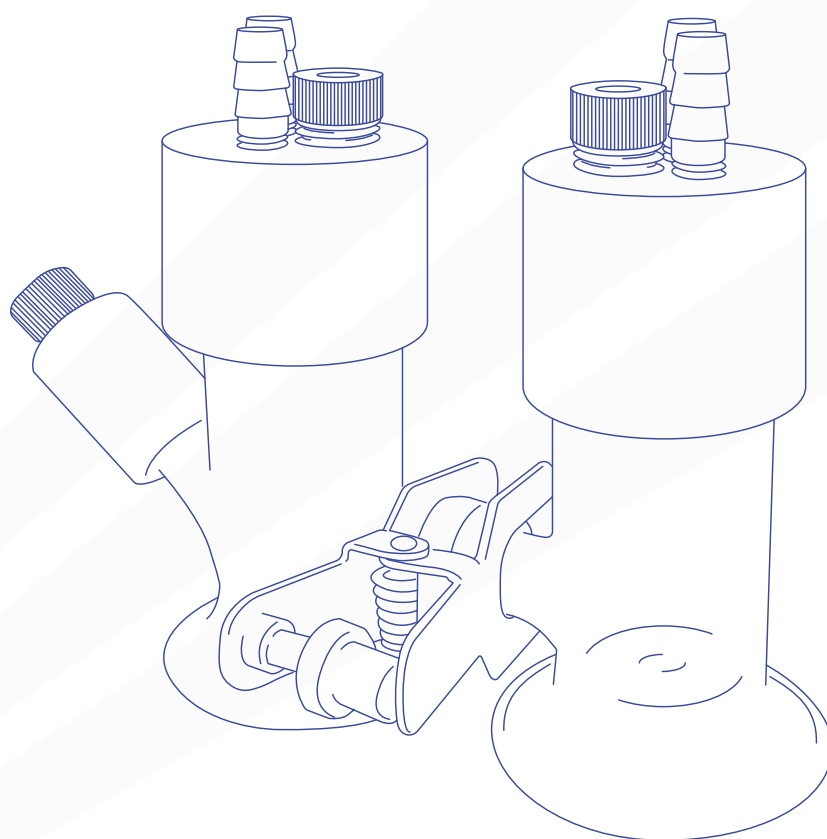


# Sealed Micro- Electrochemical H-Cell

## USER MANUAL

Manual version: 1.0.0  
Product code: C2032H1



# Contents

- 1. Packing Lists ..... 3**
  - 1.1 Packing List for C2032H1 ..... 3
  - 1.2 Packing List for C2032G1 ..... 4
- 2. Specifications..... 5**
  - 2.1 C2032H1 Specifications ..... 5
  - 2.2 C2032G1 Specifications ..... 6
- 3. Related Products ..... 7**

# 1. Packing Lists

## 1.1 Packing List for C2032H1

The standard items included with the C2032H1 Sealed Micro-electrochemical H-Cell are:

1. PTFE Screw Caps
  - Polyoxymethylene (POM) Electrode Secure Screw x1
  - Polyoxymethylene (POM) Gas inlet/outlet secure screw x4
2. Borosilicate Glass Body x2
  - PTFE Screw Cap
  - Polyoxymethylene (POM) Electrode Secure Screw x2
3. FKM fluororubber seal O-ring Extras
4. FKM fluororubber O-ring Extras
5. PTFE Rod 6.2mm electrode stopper x3
6. PTFE Rod 3mm air inlet/ outlet stopper x5
7. 1m PTFE Tubing
8. Pinch Clamp x2
9. FKM fluororubber O-ring Extras
10. Polyoxymethylene (POM) Electrode Secure Screw extras
11. Polyoxymethylene (POM) Closed Electrode Secure Screw x1
12. Red Cap Covers
13. PTFE Tape x1
14. Polyoxymethylene (POM) Gas inlet/outlet secure screw extras
15. FKM fluororubber O-ring Extras
16. Membrane Seals



## 1.2 Packing List for C2032G1

The standard items included with the C2032H1 Sealed Micro-Electrochemical H-Cell are:

1. Borosilicate Glass Body x2
  - Polyoxymethylene (POM) Electrode Secure Screw x2
  - Polyoxymethylene (POM) Gas inlet/outlet secure screw x4
  - PTFE Screw Caps x2
2. PTFE Tape x1
3. FKM fluororubber seal O-ring Extras
4. 1m PTFE Tubing
5. PTFE Rod 6.2mm electrode stopper x3
6. PTFE Rod 3mm air inlet/ outlet stopper x5
7. Pinch Clamp x2
8. Membrane Seals
9. FKM fluororubber O-ring Extras
10. PTFE Screw cap with Polyoxymethylene (POM) Electrode Secure Screw
11. Polyoxymethylene (POM) Closed Electrode Secure Screw x1
12. Polyoxymethylene (POM) Electrode Secure Screw extras
13. Red Cap Cover
14. FKM fluororubber O-ring Extras
15. FKM fluororubber O-ring Extras
16. Polyoxymethylene (POM) Gas inlet/outlet secure screw extras



## 2. Specifications

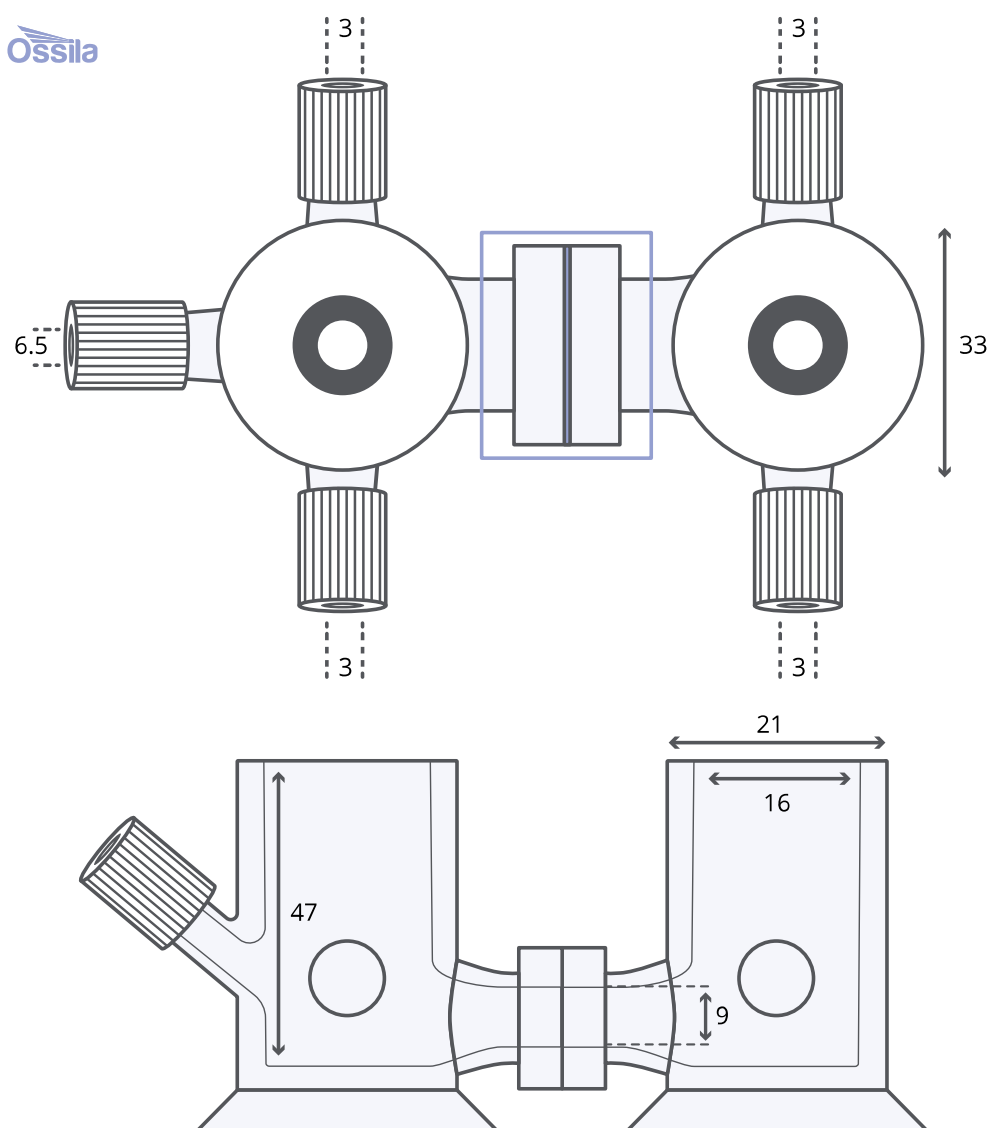
The Sealed Micro-Electrochemical H-Cell are shown below.

### 2.1 C2032H1 Specifications

**Table 2.1.** Sealed Micro-Electrochemical H-Cell specifications.

<b>Volume</b>	5/15 ml*
<b>Gas Inlet Size</b>	3 mm
<b>Electrode Inlet Size</b>	6.5 mm

Approximately 5 ml when the membrane is fully submerged on one side and 15 ml when fully filled on one side

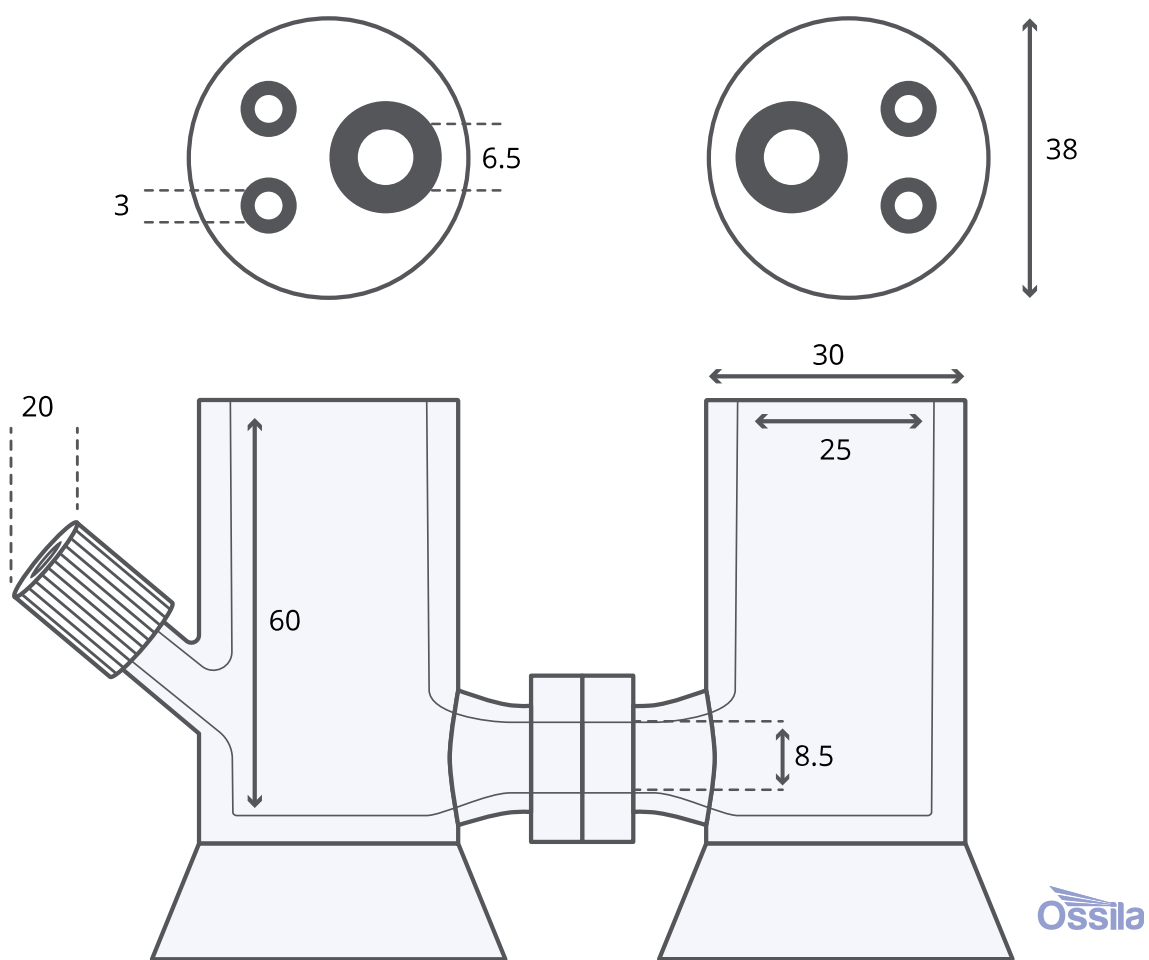


Sealed Micro-Electrochemical H-Cell C2032H1 Dimensions (in mm)

## 2.2 C2032G1 Specifications

Table 2.2. Sealed Micro-Electrochemical H-Cell specifications.

Volume	10/20 ml
Gas Inlet Size	3 mm
Electrode Inlet Size	6.5 mm
Side Electrode Inlet Size	6.5 mm



Sealed Micro-Electrochemical H-Cell C2032G1 Dimensions (in mm)

### 3. Related Products



#### Potentiostat

Low Price Potentiostat for Cyclic Voltammetry and More

Product code: **T2006A1**



#### Platinum Wire Counter Electrode

Oxidation, solvent and acid resistant platinum wire counter electrodes

Product code: **C2014A1**



#### Ag/Ag+ Reference Electrodes

Non-aqueous Ag/Ag+ reference electrode suitable for cyclic voltammetry electrochemistry cells

Product code: **C2015A1**



#### L-Shaped Glassy Carbon Working Electrode

Perfect for use in standard electrochemistry cells for cyclic voltammetry and more

Product code: **C2013H1, C2013J1**



#### Sealed Micro-Electrochemical H-Cell

Sealed Micro-Electrochemical H-Cell, Sided Gas or Vertical Gas Inlet/Outlet

Product code: **C2032H1**



#### In-situ Raman Electrochemical Cell

In-situ Raman Electrochemical Cell, In-situ Raman Spectroscopy and Infrared Microscopes

Product code: **C2035R1**



#### Super-sealed Electrochemical Cell

Super-sealed Electrochemical Cell, Gas Flow or Atmosphere Protection

Product code: **C2033S1**



#### Sealed Micro-Electrochemical Cell

Small-Volume Electrochemical Cell  
Minimize consumption of rare or expensive electrolytes

Product code: **C2031M1**