

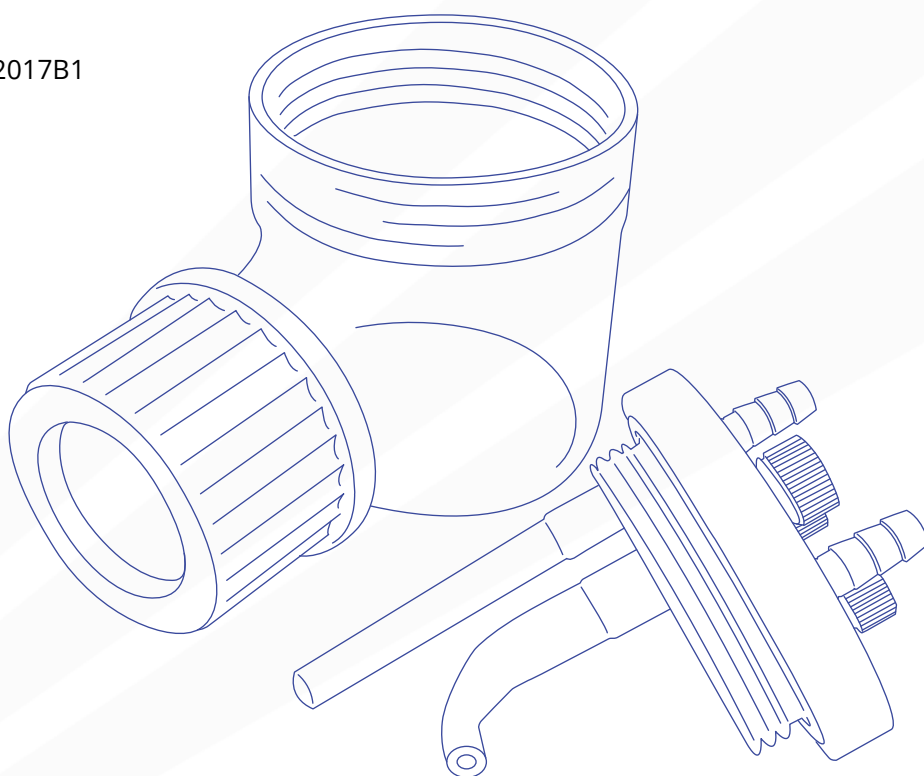
# Glass

# Photoelectrochemical Cell

## USER MANUAL

Manual version: 1.0.0

Product code: C2017A1 - C2017B1



# Contents

<b>1. Packing Lists .....</b>	<b>3</b>
1.1 Packing List for C2017A1 .....	3
1.2 Packing List for C2017B1 .....	4
<b>2. Specifications.....</b>	<b>5</b>
2.1 C2017A1 Specifications.....	5
2.2 C2017B1 Specifications.....	6
<b>3. Related Products .....</b>	<b>7</b>

# 1. Packing Lists

## 1.1 Packing List for C2017A1

The standard items included with the C2017A1 Glass Photoelectrochemical Cell are:

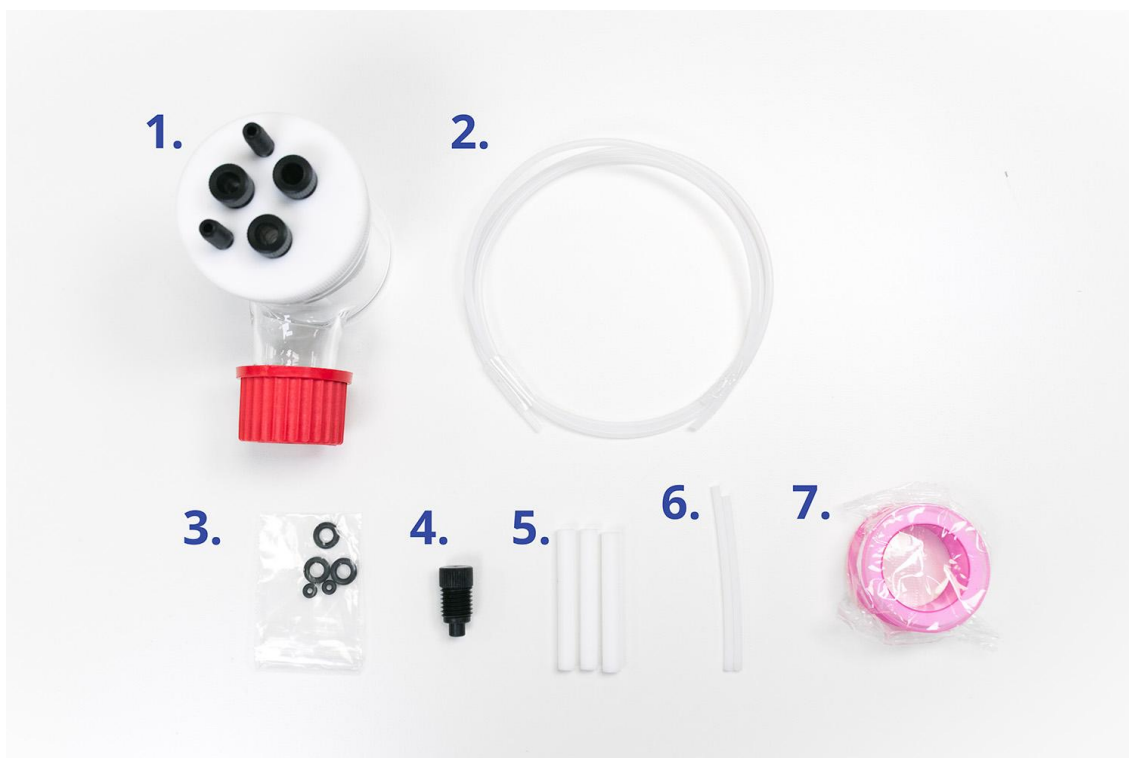
1. Borosilicate Glass wear Body
  - Internal Seal 52mm OD (3mm Dia cross section)
  - Gas bubbler Element x1
  - Luggin Capperay x1
  - Polyoxymethylene (POM) Cell Electrode inlet screw in adaptor x3
  - Polyoxymethylene (POM) Cell Gas Inlet screw in adaptor x2
  - Optical Window
  - Screw on Polybutylene terephthalate Cap with 24mm centre hole
  - JGS2 Quartz with transparent window 0.220-2.5 ( $\mu\text{m}$ ) optical window 29mm dia
2. 1m PTFE Tubing
3. FKM fluororubber O-ring OD 10mm & 5.5mm Extras
4. Polyoxymethylene (POM) Cell Electrode inlet Blank x1
5. PTFE Rod 6.2mm electrode inlet stopper x3
6. PTFE Rod 3mm air inlet stopper x2
7. PTFE White Tape PTFE x1



## 1.2 Packing List for C2017B1

The standard items included with the C2017B1 Glass Photoelectrochemical Cell are:

1. Borosilicate Glass wear Body
  - Internal Seal 52mm OD (3mm Dia cross section)
  - Gas bubbler Elements x1
  - Luggin Cappillary x1
  - Polyoxymethylene (POM) Cell Electrode inlet screw in adaptor x3
  - Polyoxymethylene (POM) Cell Gas Inlet screw in adaptor x2
  - Optical Window
  - Screw on Cap with 24mm centre hole
  - Quartz optical window 29mm dia
2. 1m PTFE Tubing
3. FKM fluororubber O-ring OD 10mm & 5.5mm Extras
4. Polyoxymethylene (POM) Cell Electrode inlet Blank x1
5. PTFE Rod 6.2mm electrode inlet stopper x3
6. PTFE Rod 3mm air inlet stopper x2
7. PTFE White Tape PTFE x1



## 2. Specifications

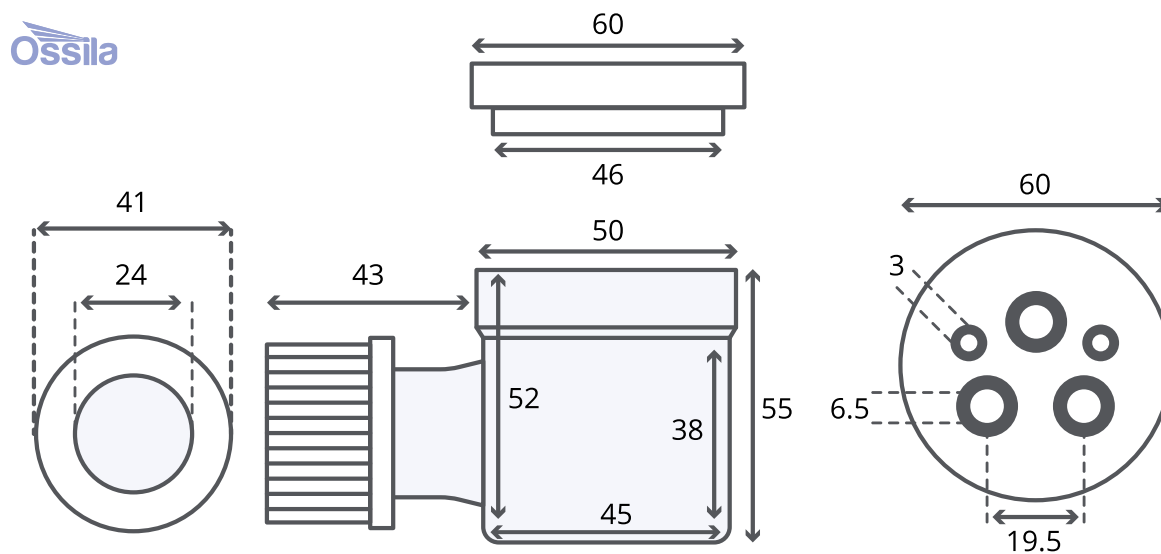
The Glass Photoelectrochemical Cell specifications are shown below.

### 2.1 C2017A1 Specifications

**Table 2.1.** Glass Photoelectrochemical Cell C2017A1 specifications.

Half-cell Volume (Window*)	65 ml
Half-cell Volume (Thread*)	80 ml
Half-cell Volume (Full)	100 ml
Gas Inlet Size	3 mm
Electrode Inlet Size	6.5 mm

\*The volume of the half-cell is measured with liquid filled till above the optical window (notation: Window), filled till the thread (notation: Thread) and filled till the cell is full (notation: Full).



C2017A1 Glass Photoelectrochemical Cell Dimensions (in mm)



### 3. Related Products



#### Potentiostat

Low Price Potentiostat for Cyclic Voltammetry and More

Product code: **T2006A1**



#### Platinum Wire Counter Electrode

Oxidation, solvent and acid resistant platinum wire counter electrodes

Product code: **C2014A1**



#### Platinum Mesh Electrode

Reinforced Platinum (Pt) Mesh Counter Electrodes

Product code: **C2027M1**



#### L-Shaped Glassy Carbon Working Electrode

Perfect for use in standard electrochemistry cells for cyclic voltammetry and more

Product code: **C2013H1, C2013J1**



#### Photoelectrochemical H-Cell

H-Type Photoelectrochemical Cells (PECs) with Optical Window

Product code: **C2017F1**



#### Glassy Carbon Electrode Holder

Replaceable multi-purpose glassy carbon electrode holder for electrochemical and photoelectrochemical studies

Product code: **C2029G1**