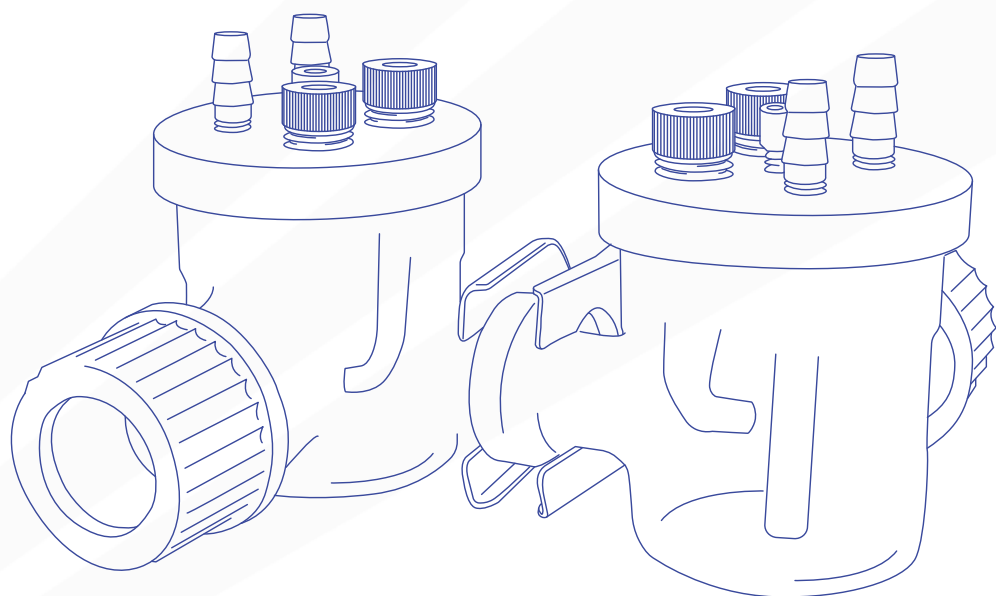


# Photoelectrochemical H-Cell with Double Optical Windows

## USER MANUAL

Manual version: 1.0.0  
Product code: C2017P1



# Contents

1. Packing List.....	3
2. Specifications.....	5
3. Related Products.....	6

# 1. Packing List

The standard items included with the Photoelectrochemical H-Cell with Double Optical Windows are:

1. Borosilicate Glass Body (x2)
  - Optical Window
  - Screw on Polybutylene terephthalate Cap with 24mm centre hole
  - JGS2 Quartz with transparent window 0.220-2.5 ( $\mu\text{m}$ ) optical window 29mm dia
2. Red Cap Covers for gas ports
3. Polyoxymethylene (POM) Electrode Secure Screw Blank x2
4. Screw Cap (x2)
  - Internal Sealing O-ring
  - Polyoxymethylene (POM) Electrode Secure Screw x2
  - Polyoxymethylene (POM) Gas inlet/outlet secure screw x2
  - Sampling Window
  - Glass Frit Gas Bubbler
  - Luggin Capillary
5. PTFE Rod 3mm air inlet/ outlet stopper x5
6. PTFE Rod 6.2mm electrode stopper x3
7. PTFE Tape
8. Membrane Seals
9. Polyoxymethylene (POM) Electrode Secure Screws (Extra)
10. FKM fluororubber O-ring (OD 10mm) for Electrode Seal (Extras)
11. Circular Sampling window septa
12. Pinch Clamp x2
13. 1m PTFE Tubing
14. Polyoxymethylene (POM) Gas inlet/outlet Secure Screws (Extra)
15. FKM fluororubber O-ring (OD 6 mm) for Gas Inlet/ Outlet Seal (Extras)
16. FKM fluororubber O-ring Optical Window Seal x2 (Extra)
17. JS2 Quartz Optical Window x2 (Extra)

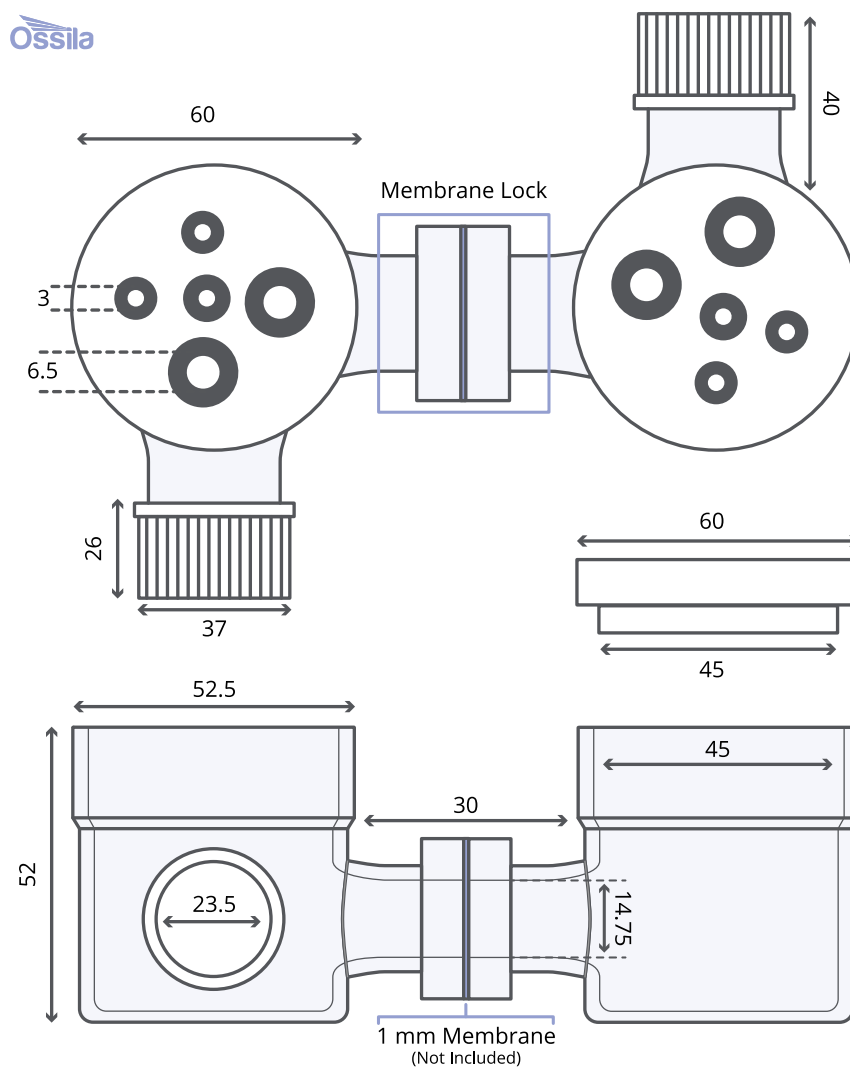


## 2. Specifications

The Photoelectrochemical H-Cell specifications are shown in **Table 2.1**.

**Table 2.1.** Ossila Product Name specifications.

Volume	100 ml
Electrode Inlet	6.5 mm
Gas Inlet	3 mm
Half-cell Volume (Bridge*)	65 ml
Half-cell Volume (Window*)	75 ml
Half-cell Volume (Thread*)	80 ml
Half-cell Volume (Full)	105 ml



## 3. Related Products



### Potentiostat

Low Price Potentiostat for Cyclic Voltammetry and More

Product code: **T2006A1**



### Standard Electrochemical Cell

High Quality Standard Electrochemical Cell

Product code: **C2012A1**



### Visual Membrane Electrode Assembly (MEA) Electrolytic Cell

Membrane Electrode Assembly (MEA) Electrolytic Cell, Transparent Observable Reactor

Product code: **C2038A1**



### L-Shaped Glassy Carbon Working Electrode

Perfect for use in standard electrochemistry cells for cyclic voltammetry and more

Product code: **C2013H1, C2013J1**



### In-situ Raman Electrochemical Cell

In-situ Electrochemical Cell for Raman Spectroscopy & Infrared Microscopes

Product code: **C2035R1**



### PEEK Electrochemical Cell Screw Set

PEEK Electrochemical Cell Screws for More Demanding Applications

Product code: **C2041A1**