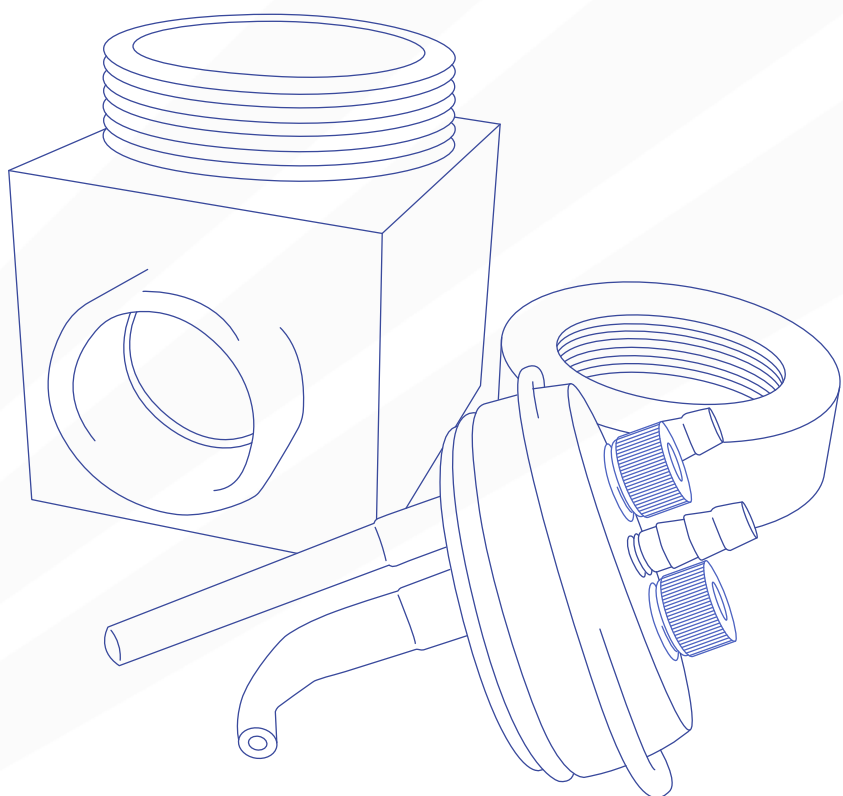


# PTFE Photoelectrochemical Cell

## USER MANUAL

Manual version: 1.0.0

Product code: C2017C1 - C2017D1



# Contents

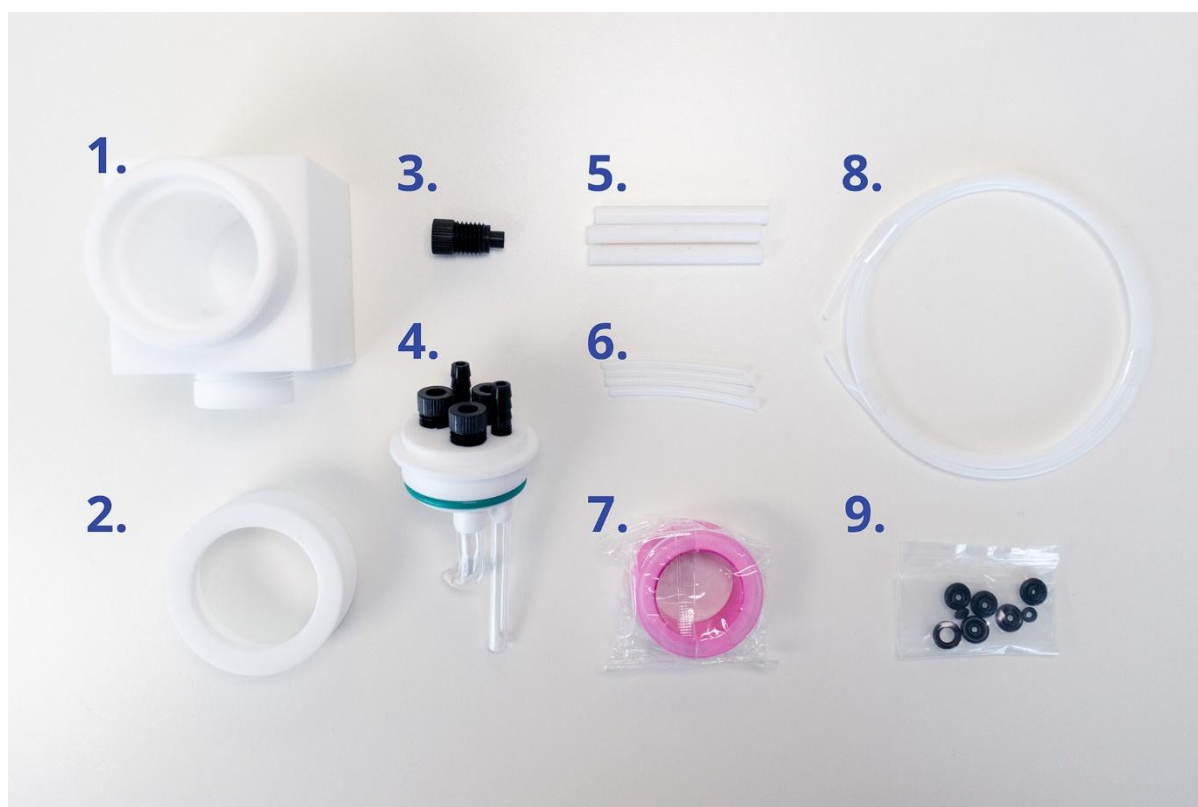
<b>1. Packing Lists .....</b>	<b>3</b>
1.1 Packing List for C2017C1 .....	3
1.2 Packing List for C2017D1 .....	4
<b>2. Specifications.....</b>	<b>5</b>
2.1 C2017C1 Specifications.....	5
2.2 C2017D1 Specifications .....	6
<b>3. Related Products .....</b>	<b>7</b>

# 1. Packing Lists

## 1.1 Packing List for C2017C1

The standard items included with the C2017C1 PTFE Photoelectrochemical Cell are:

1. PTFE 50 ml body
  - Optical window
  - JGS2 quartz with transparent window
2. PTFE screw lock cap
3. Polyoxymethylene cell electrode inlet blank x1
4. Screw cap
  - Internal seal 52mm OD (3mm diameter cross section)
  - Gas bubbler element x1
  - Luggin capillary x1
  - Polyoxymethylene cell electrode inlet screw in adaptor x3
  - Polyoxymethylene cell gas inlet screw in adaptor x2
5. PTFE rod 6.2mm electrode inlet stopper x3
6. PTFE rod 3mm air inlet stopper x4
7. PTFE white tape x1
8. 1m PTFE tubing
9. Rubber o-ring OD 10mm & 5.5mm extras



## 1.2 Packing List for C2017D1

The standard items included with the C2017D1 PTFE Photoelectrochemical Cell are:

1. PTFE 100 ml body
  - Optical window
  - JGS2 quartz with transparent window
2. PTFE screw lock cap
3. PTFE 1m tubing
4. Rubber o-ring OD 10mm & 5.5mm extras
5. Screw cap
  - Internal seal
  - Gas bubbler element x1
  - Luggin capillary x1
  - Polyoxymethylene cell electrode inlet screw in adaptor x3
  - Polyoxymethylene cell gas Inlet screw in adaptor x2
6. PTFE rod 3mm air inlet stopper x2
7. PTFE rod 6.2mm electrode inlet stopper x3
8. PTFE white tape x1
9. Polyoxymethylene cell electrode inlet blank x1



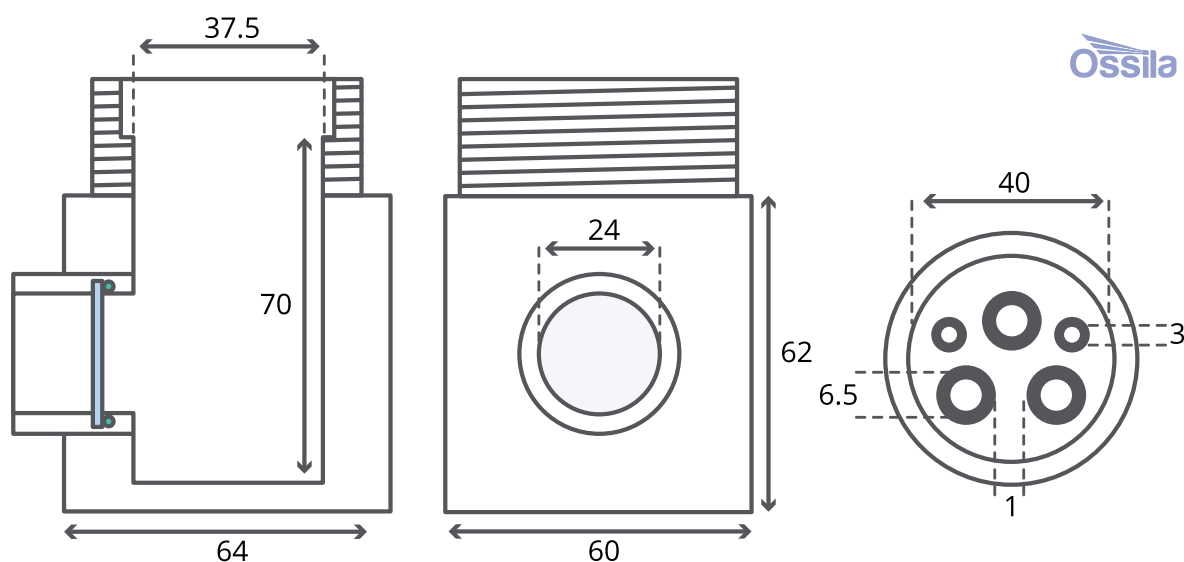
## 2. Specifications

The PTFE Photoelectrochemical Cell specifications are shown below.

### 2.1 C2017C1 Specifications

Table 2.1. PTFE Photoelectrochemical Cells C2017C1 specifications.

Volume	50 ml
Gas Inlet Size	3 mm
Electrode Inlet Size	6.5 mm

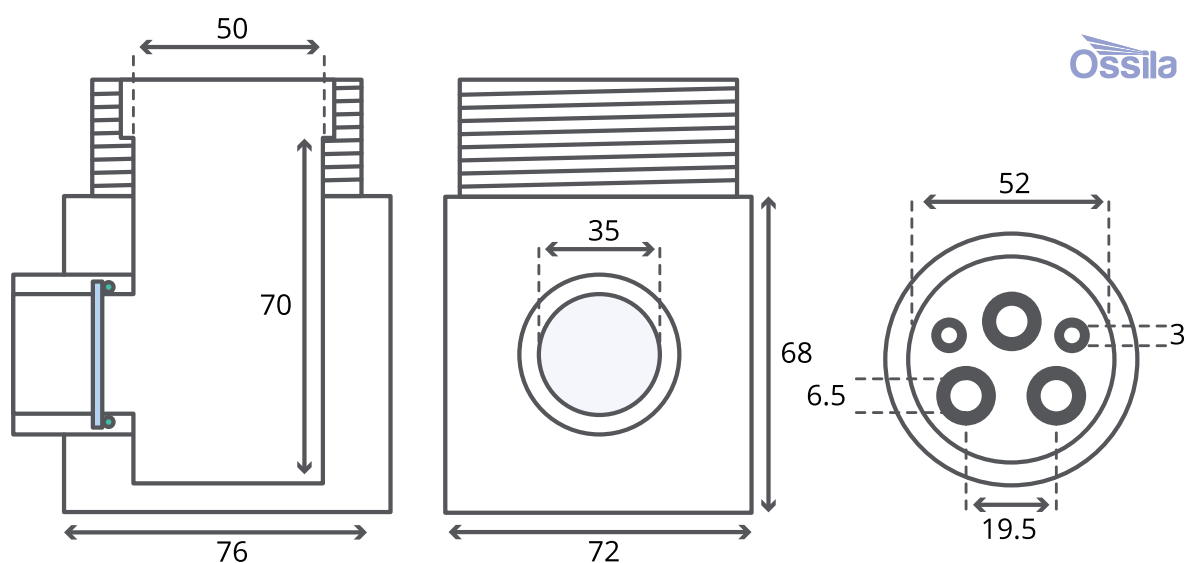


C2017C1 PTFE Photoelectrochemical Cell Dimensions (in mm)

## 2.2 C2017D1 Specifications

Table 2.2. PTFE Photoelectrochemical Cells C2017D1 specifications.

Volume	100 ml
Gas Inlet Size	3 mm
Electrode Inlet Size	6.5 mm



C2017D1 PTFE Photoelectrochemical Cell Dimensions (in mm)

### 3. Related Products



#### Potentiostat

Low price Potentiostat for cyclic voltammetry and more

Product code: **T2006A1**



#### Platinum Wire Counter Electrode

Oxidation, solvent and acid resistant platinum wire counter electrodes

Product code: **C2014A1**



#### Ag/Ag+ Reference Electrodes

Non-aqueous Ag/Ag+ reference electrode suitable for cyclic voltammetry electrochemistry cells

Product code: **C2015A1**



#### L-Shaped Glassy Carbon Working Electrode

Perfect for use in standard electrochemistry cells for cyclic voltammetry and more

Product code: **C2013H1, C2013J1**