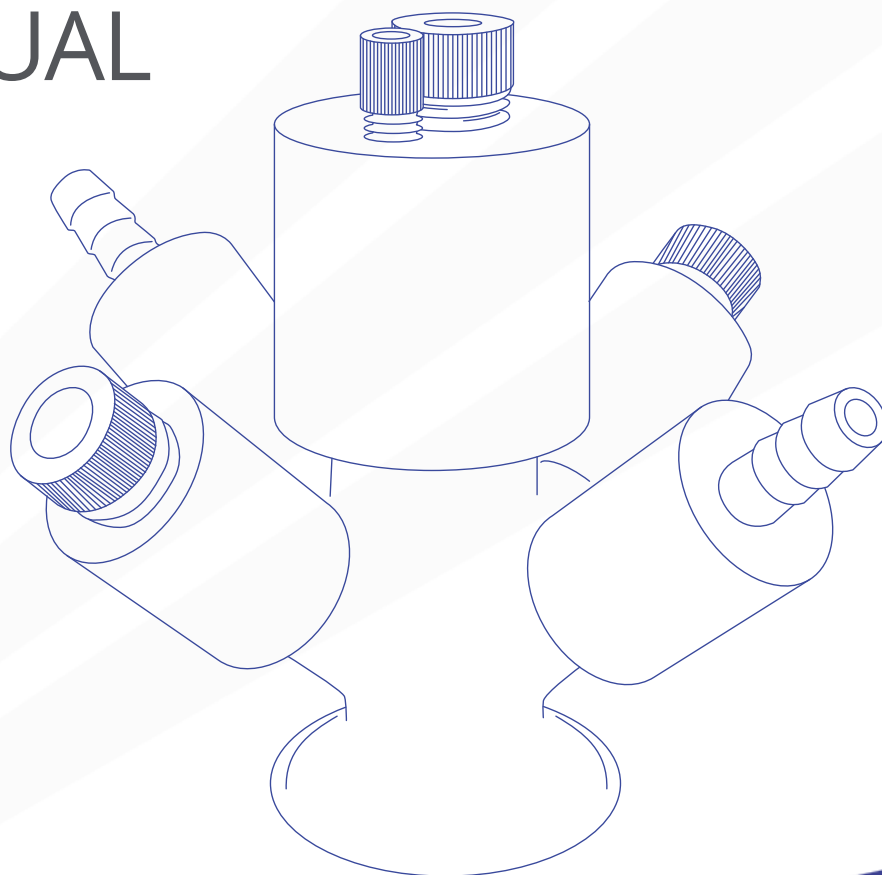


# Sealed Micro- Electrochemical Cell with Sampling Window

## USER MANUAL

Manual version: 1.0.0  
Product code: C2031W1



# Contents

1. Packing List.....	3
2. Specifications.....	4
3. Related Products.....	5

# 1. Packing List

The standard items included with the Sealed Micro-Cell with Sampling Window are:

1. Borosilicate glass body
  - PTFE screw cap
  - FKM fluororubber internal seal
  - Polyoxymethylene (POM) electrode secure screw x1
  - Polyoxymethylene (POM) sample window secure screw x1
2. Polyoxymethylene (POM) electrode secure screw with PTFE cap x2
  - Polyoxymethylene (POM) gas inlet/outlet secure screw with PTFE cap x2
3. PTFE 1m tubing
4. FKM fluororubber o-ring x2
5. FKM fluororubber 3 mm o-ring extras
6. Needle
7. Polyoxymethylene (POM) gas inlet/outlet secure screw extras
8. FKM fluororubber o-ring extras 10mm
9. Circular Sampling window septa
10. PTFE tape
11. FKM fluororubber o-ring extras
12. Polyoxymethylene (POM) electrode secure screw extras x3
13. PTFE rod 6.2mm electrode stopper x3
14. PTFE rod 3mm air inlet/ outlet stopper x4
15. Red caps
16. Spare viewing window
17. FKM fluororubber o-ring extras

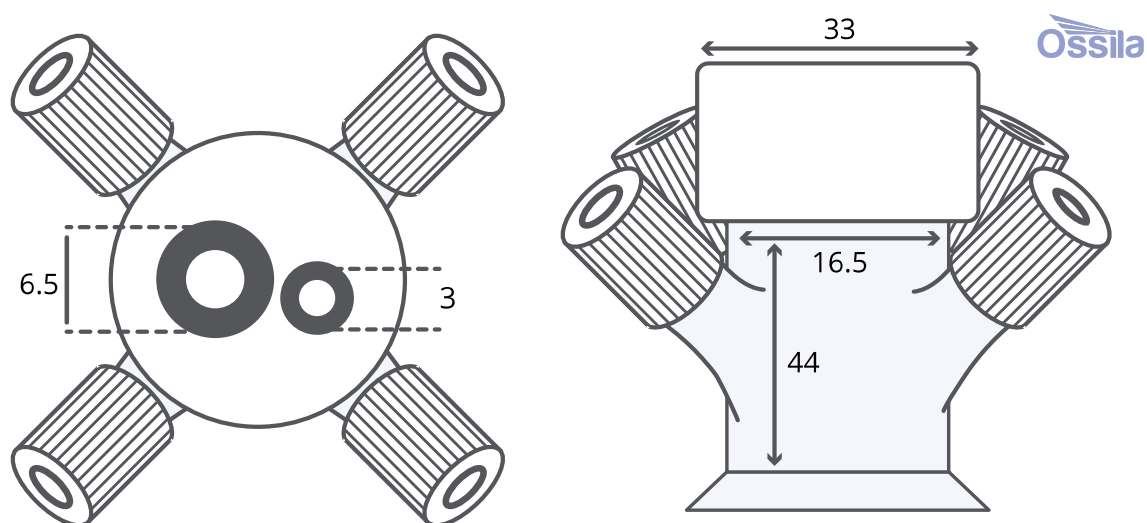


## 2. Specifications

The Sealed Micro-Electrochemical Cell with Sampling Window specifications are shown below.

**Table 2.1.** Sealed Micro-Electrochemical Cell with Sampling Window specifications.

Volume	10 ml
Gas Inlet Size	3 mm
Electrode Inlet Size	6.5 mm
Body Material	High Borosilicate Glass
Lid Material	PTFE
Electrode Inlets	3
Gas Inlets	2
Sampling Window	1



Sealed Micro-Electrochemical Cell with Sampling Window Dimensions (in mm)

### 3. Related Products



#### Potentiostat

Low price Potentiostat for cyclic voltammetry and more

Product code: **T2006A1**



#### Platinum Wire Counter Electrode

Oxidation, solvent and acid resistant platinum wire counter electrodes

Product code: **C2014A1**



#### Ag/Ag+ Reference Electrodes

Non-aqueous Ag/Ag+ reference electrode suitable for cyclic voltammetry electrochemistry cells

Product code: **C2015A1**



#### L-Shaped Glassy Carbon Working Electrode

Perfect for use in standard electrochemistry cells for cyclic voltammetry and more

Product code: **C2013H1, C2013J1**



#### H-Cell

High quality borosilicate H-type electrochemical cell available in different volumes

Product code: **C2012E1**



#### Five-necked Electrochemical Cell

Ideal for cyclic voltammetry analysis, corrosion testing, and CO<sub>2</sub>RR or NRR

Product code: **C2030F1**



#### Sealed Micro-electrochemical H-Cell

Sealed Micro-electrochemical H-Cell, Sided Gas or Vertical Gas Inlet/Outlet

Product code: **C2032H1**



#### In-situ Raman Electrochemical Cell

In-situ Raman Electrochemical Cell, In-situ Raman Spectroscopy and Infrared Microscopes

Product code: **C2035R1**