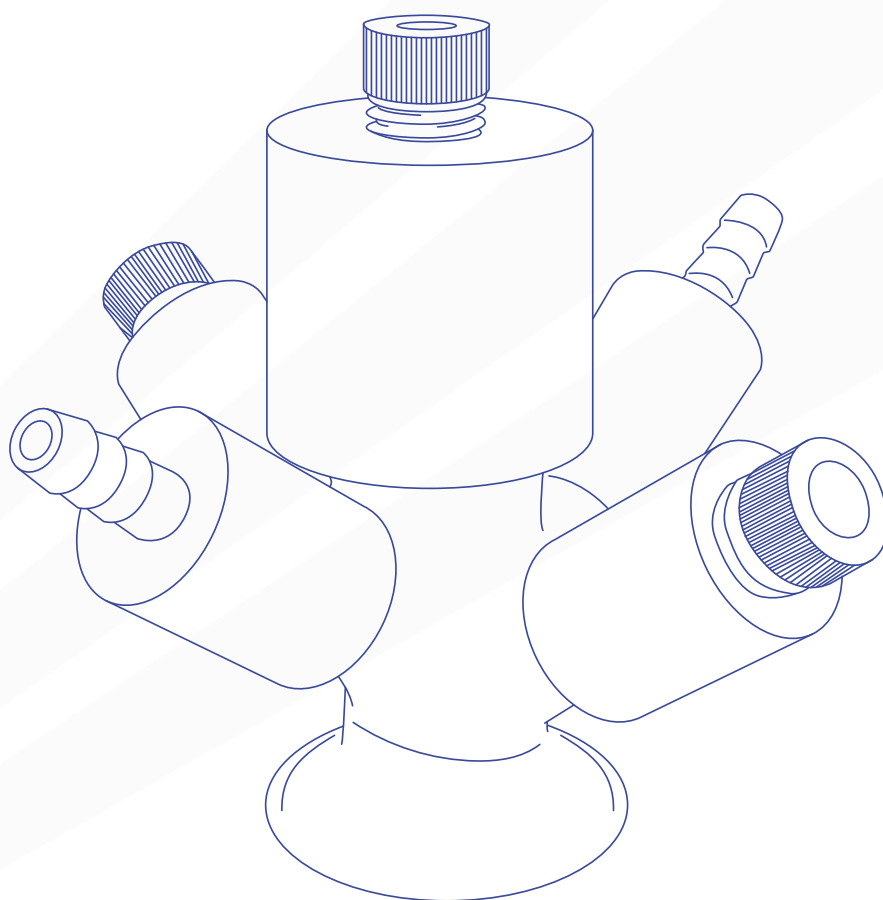




Sealed Micro- Electrochemical Cell

USER MANUAL

Manual version: 1.0.0
Product code: C2031M1



Contents

1. Packing List.....	3
2. Specifications.....	4
3. Related Products.....	5

1. Packing List

The standard items included with the Sealed Micro-Electrochemical Cell with Sampling Window are:

1. Borosilicate glass body
 - PTFE screw cap
 - FKM fluororubber internal seal
 - Polyoxymethylene (POM) electrode secure screw x1
2. Polyoxymethylene (POM) electrode secure screw with PTFE cap x2
 - Polyoxymethylene (POM) gas inlet/outlet secure screw with PTFE cap x2
3. 1m PTFE tubing
4. Polyoxymethylene (POM) gas inlet/outlet secure screw extras
5. FKM fluororubber o-ring extras
6. FKM fluororubber o-ring x2
7. Polyoxymethylene (POM) electrode secure screw x3
8. PTFE rod 3mm air inlet/outlet stopper x4
9. FKM fluororubber o-ring extras (3 mm)
10. PTFE tape
11. FKM fluororubber o-ring extras (6 mm)
12. PTFE rod 6.2mm electrode stopper x3
13. Red cap covers

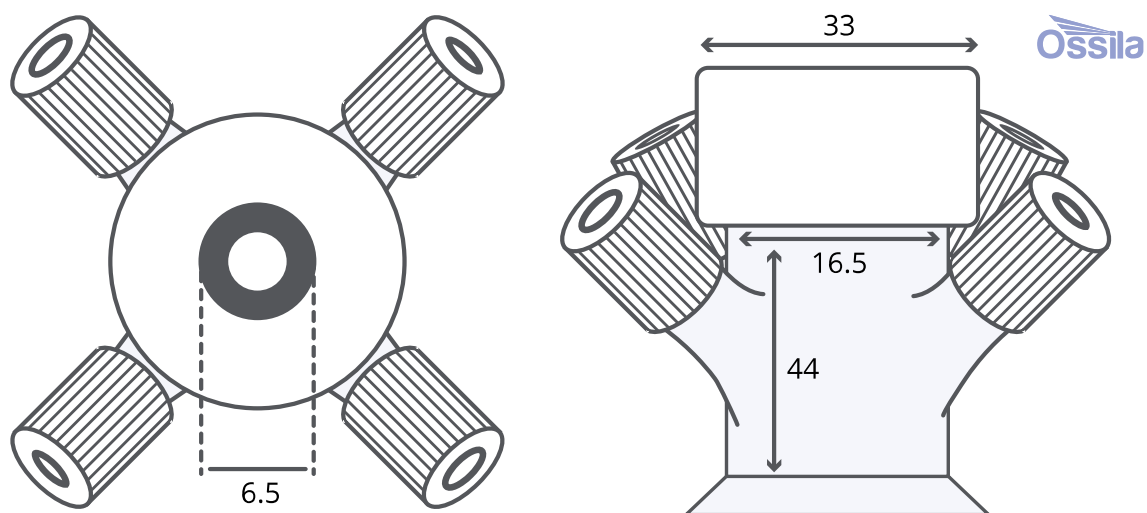


2. Specifications

The Sealed Micro-Electrochemical Cell with Sampling Window specifications are shown below.

Table 2.1. Sealed Micro-Electrochemical Cell with Sampling Window specifications.

Volume	10 ml
Gas Inlet Size	3 mm
Electrode Inlet Size	6.5 mm
Body Material	High Borosilicate Glass
Lid Material	PTFE
Electrode Inlet	3
Gas Inlet	2



Sealed Micro-Electrochemical Cell with Sampling Window Dimensions (in mm)

3. Related Products



Potentiostat

Low price Potentiostat for cyclic voltammetry and more

Product code: **T2006A1**



Platinum Wire Counter Electrode

Oxidation, solvent and acid resistant platinum wire counter electrodes

Product code: **C2014A1**



Ag/Ag+ Reference Electrodes

Non-aqueous Ag/Ag+ reference electrode suitable for cyclic voltammetry electrochemistry cells

Product code: **C2015A1**



L-Shaped Glassy Carbon Working Electrode

Perfect for use in standard electrochemistry cells for cyclic voltammetry and more

Product code: **C2013H1, C2013J1**



H-Cell

High quality borosilicate H-type electrochemical cell available in different volumes

Product code: **C2012E1**



Five-necked Electrochemical Cell

Ideal for cyclic voltammetry analysis, corrosion testing, and CO₂RR or NRR

Product code: **C2030F1**



Sealed Micro-electrochemical H-Cell

Sealed Micro-electrochemical H-Cell, Sided Gas or Vertical Gas Inlet/Outlet

Product code: **C2032H1**



In-situ Raman Electrochemical Cell

In-situ Raman Electrochemical Cell, In-situ Raman Spectroscopy and Infrared Microscopes

Product code: **C2035R1**