

# Super-Sealed Electrochemical Cell

## USER MANUAL

Manual version: 1.0.0  
Product code: C2033S1



# Contents

1. Packing List.....	3
2. Specifications.....	4
3. Related Products.....	5

# 1. Packing List

The standard items included with the C2033S1 Super-Sealed Electrochemical Cell are:

1. PTFE super seal screw cap
2. Borosilicate glass body
3. Internal seal
4. PTFE screw top
  - Polyoxymethylene (POM) electrode secure screw x3
  - Polyoxymethylene (POM) gas inlet/outlet secure screw x2
5. FKM fluororubber o-ring extras
6. Polyoxymethylene (POM) gas inlet/outlet secure screw extras
7. PTFE rod 6.2mm electrode stopper x3
8. PTFE rod 3mm air inlet/ outlet stopper x4
9. Red cover caps
10. FKM fluororubber o-ring extras
11. Polyoxymethylene (POM) electrode secure screw extras
12. Internal seal extra
13. 1m PTFE tubing

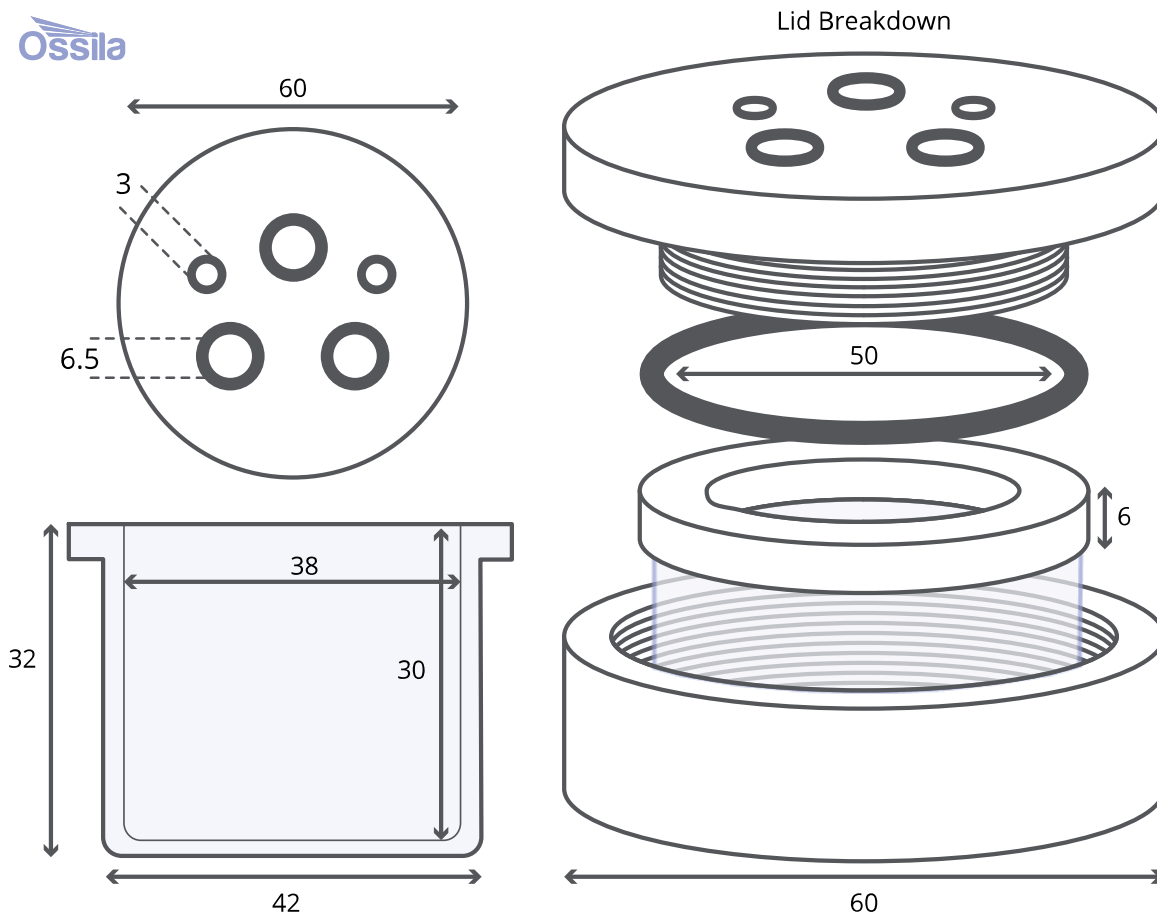


## 2. Specifications

The Super-Sealed Electrochemical Cell specifications are shown below.

**Table 2.1.** Super-Sealed Electrochemical Cell specifications.

Volume	25 ml
Gas Inlet Size	3 mm
Electrode Inlet Size	6.5 mm



Super-Sealed Electrochemical Cell Dimensions (in mm)

### 3. Related Products



#### Potentiostat

Low price Potentiostat for cyclic voltammetry and more

Product code: **T2006A1**



#### Platinum Wire Counter Electrode

Oxidation, solvent and acid resistant platinum wire counter electrodes

Product code: **C2014A1**



#### Ag/Ag+ Reference Electrodes

Non-aqueous Ag/Ag+ reference electrode suitable for cyclic voltammetry electrochemistry cells

Product code: **C2015A1**



#### L-Shaped Glassy Carbon Working Electrode

Perfect for use in standard electrochemistry cells for cyclic voltammetry and more

Product code: **C2013H1, C2013J1**



#### Sealed Micro-Electrochemical H-Cell

Sealed Micro-electrochemical H-Cell, Sided Gas or Vertical Gas Inlet/Outlet

Product code: **C2032H1**



#### In-situ Raman Electrochemical Cell

In-situ Raman Electrochemical Cell, In-situ Raman Spectroscopy and Infrared Microscopes

Product code: **C2035R1**